

1

2

3

4

5

6

A

B

C

D

E

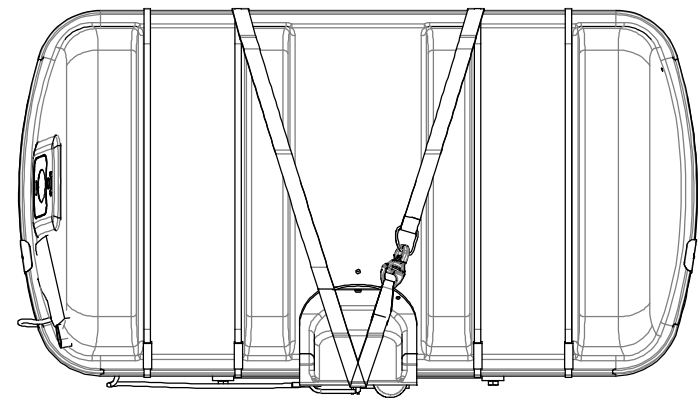
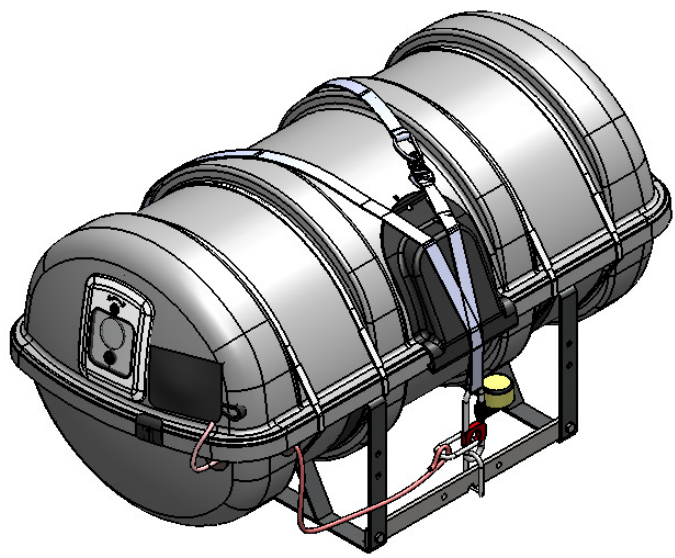
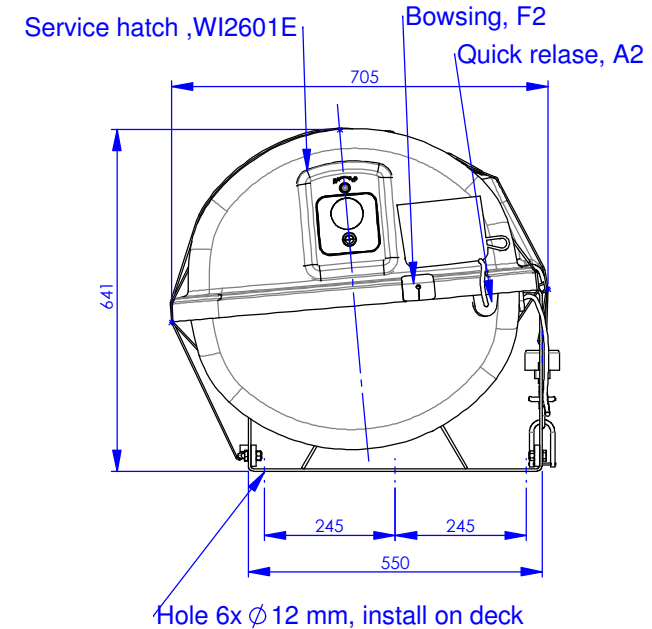
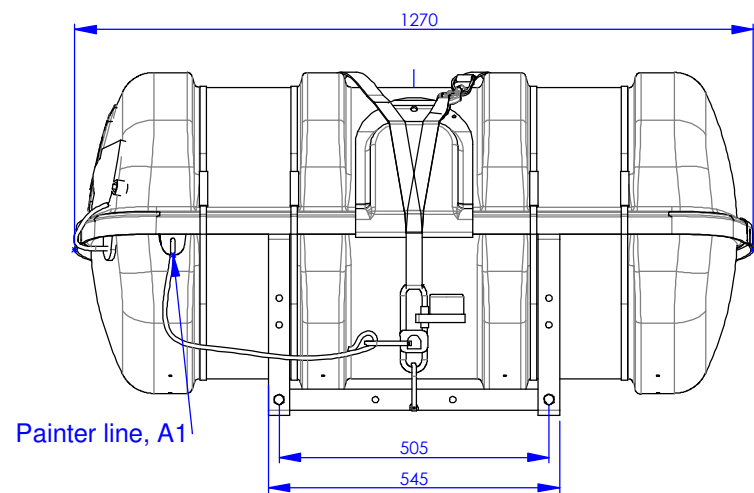
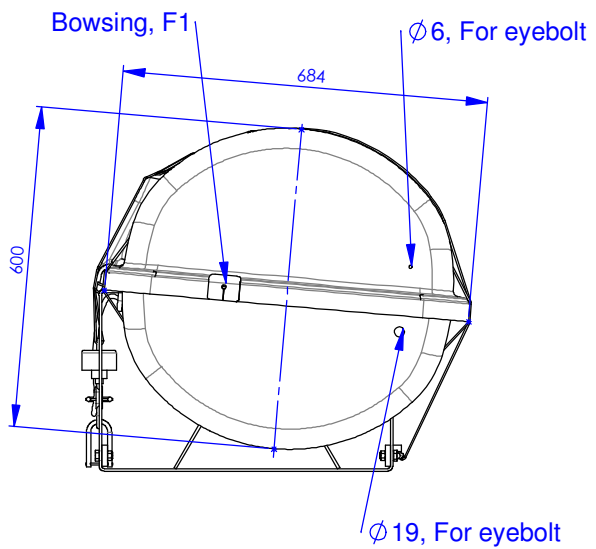
A

B

C

D

E



Note: All dimensions are for information only. The dimensions for inspection are specified in WI.
 All slots dimensions measured from center of the container, see WI no 2198E.
 Cutting edge and drain holes dimensions see WI no 2099E.

Location	A1	A2	F1	F2
Dimension (mm)	453±5	240±2	120±2	120±2

1	CRADLE CPL NO LASHING GALVANIZ	S235JR	1004360
<i>Item no.</i>	<i>Description</i>	<i>Material</i>	<i>Part no.</i>

If the product is requested to be manufactured differently, this MUST be approved by VIKING LIFE-SAVING EQUIPMENT A/S and a specification of change must be filled in if the alteration is approved. Unless otherwise specified the product must always be clearly labelled with Viking part no., manufacturer ID and manufacturing year.

MATERIAL NO: 1072664	Old DWG No: -	STATUS: FR	UNITS: mm/kg	WEIGHT: 48.005	CHECK DATE/INIT: 20180926/DW
BASIC MATERIAL:	SURFACE TREATMENT: -	SHEET SIZE: A3	SCALE: 1:10	SHEET NO.: 1/1	DRAWN DATE/INIT: 20180926/DW

<p>VIKING LIFE-SAVING EQUIPMENT A/S Sædding Ringvej 13, DK-6710 Esbjerg V Tel.: +45 7611 8100 Fax.: +45 7611 8101 E-mail: viking@viking-life.dk Web: www.VIKING-life.com</p>	PROJECTION TYPE FIRST ANGLE PROJECTION GENERAL TOLERANCE: -	DESCRIPTION: Container 6901 Sale Spec. for 12 DKF S12/S30
	Copyright of VIKING LIFE-SAVING EQUIPMENT DENMARK whose property this document remains. No part thereof may be disclosed, copied, duplicated or in any other way made use of except with the approval of VIKING LIFE-SAVING EQUIPMENT DENMARK.	

CAD NO.:	Drawing NO.:	REV NO.:
14004855	16012707 cont 6901	001

1

2

3

4

5

6