

1

2

3

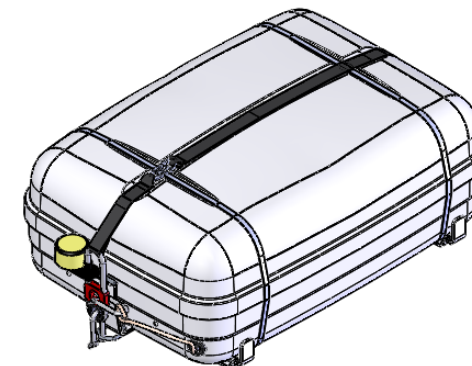
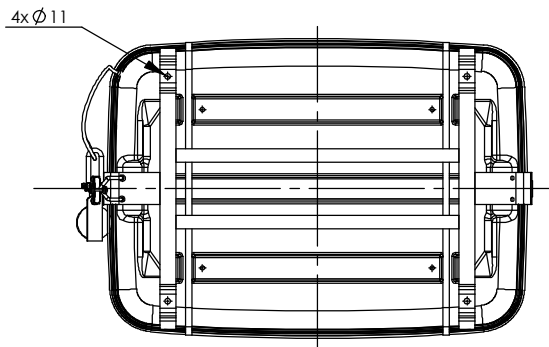
4

5

6

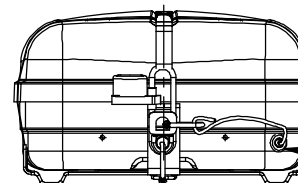
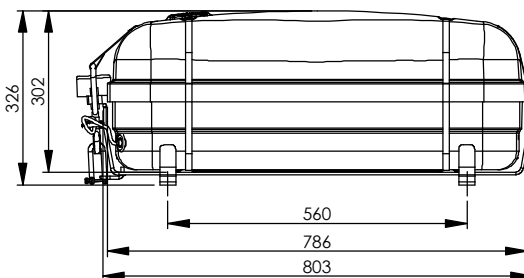
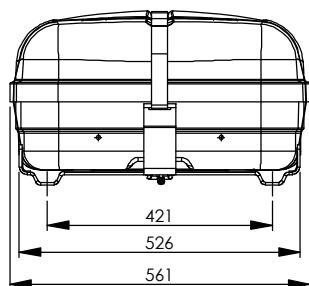
A

A



B

B



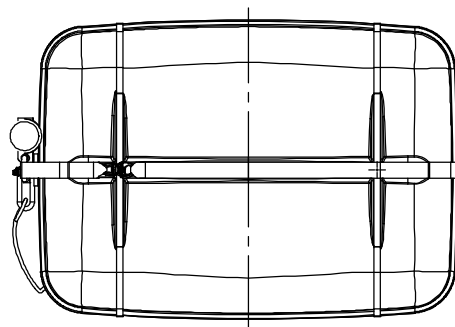
Painter line

C

C

D

D




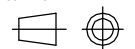
E

E

3	Hammar H20 Small Raft	1010315	-	-
	COMPL. KIT, HRU FITTINGS FOR YACHTING	1035493	-	AISI316
2	CRADLE FOR GRP TYPE 37XX & 39XX	1031480	16000744	AISI316
	FITTINGS, CPL. STAINLESS 36XX/38XX/39XX	1031221	16000707	AISI316
1	CRADLE FOR GRP TYPE 37XX & 39XX	1031480	16000744	AISI316
Item	Object	Part no	Drawing no	Material

If the product is requested to be manufactured differently, this MUST be approved by VIKING LIFE-SAVING EQUIPMENT A/S and a specification of change must be filled in if the alteration is approved. Unless otherwise specified the product must always be clearly labelled with Viking part no., manufacturer ID and manufacturing year.

MATERIAL NO: <b>1021624</b>	Old DWG No: -	STATUS:	UNITS: <b>mm/kg</b>	WEIGHT: <b>10.254</b>	CHECK DATE/INIT: <b>20140701/DW</b>
BASIC MATERIAL:	SURFACE TREATMENT: -	SHEET SIZE: <b>A3</b>	SCALE: <b>1:10</b>	SHEET NO.: <b>1/1</b>	DRAWN DATE/INIT: <b>20140701/DW</b>

	VIKING LIFE-SAVING EQUIPMENT A/S Sødding Ringvej 13, DK-6710 Esbjerg V Tel.: +45 7611 8100 Fax.: +45 7611 8101 E-mail: viking@viking-life.dk Web: www.VIKING-life.com	PROJEKTION TYPE  <b>FIRST ANGLE PROJECTION</b> GENERAL TOLERANCE: -	DESCRIPTION: <b>8 UKL and 4-8 UKSL with HRU</b> Sales Specification for Container 016-3901 <b>For Yatching se skema SKKE 056</b>
	Copyright of VIKING LIFE-SAVING EQUIPMENT DENMARK whose property this document remains. No part thereof may be disclosed, copied, duplicated or in any other way made use of except with the approval of VIKING LIFE-SAVING EQUIPMENT DENMARK.		CAD NO.: <b>14001252</b>

REV	DESCRIPTION	DATE	REV NO.:
			<b>00</b>

1

2

3

4

5

6