

1

2

3

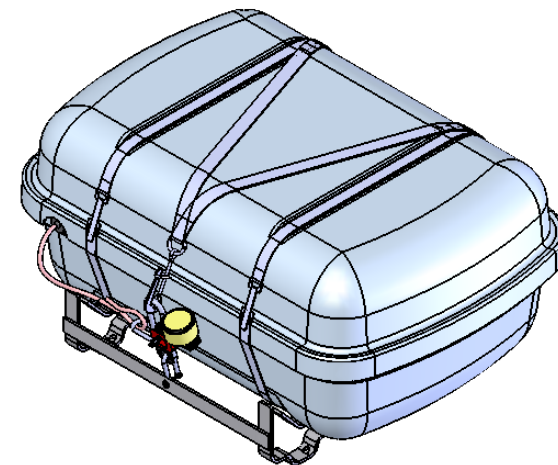
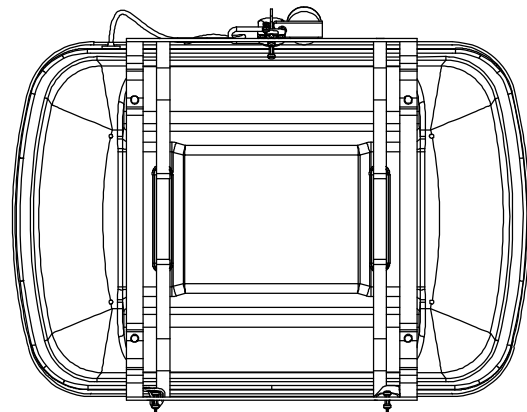
4

5

6

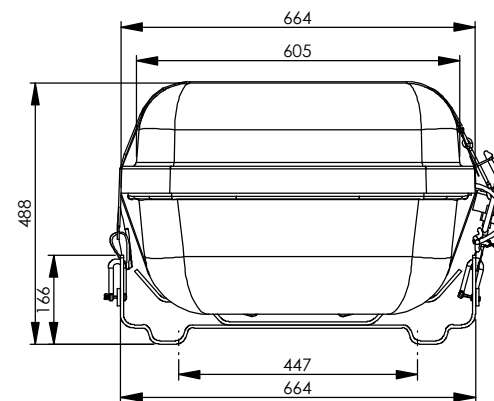
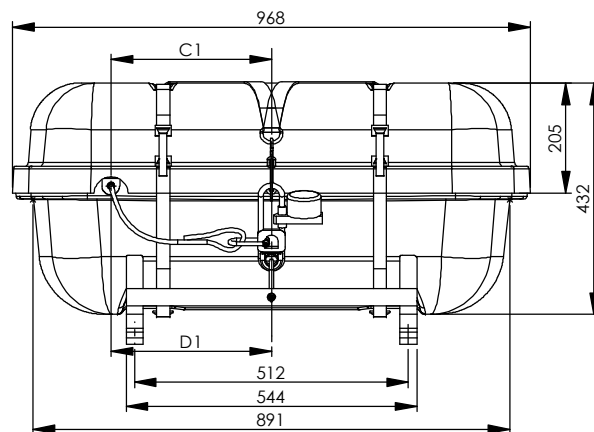
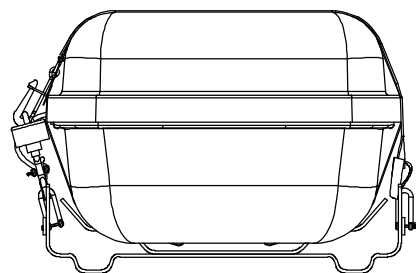
A

A



B

B

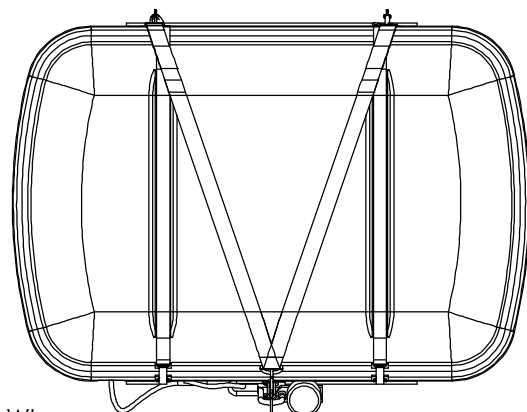


C

C

D


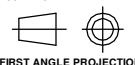
D



1	Stain. Steel Cradle for 9041	1025356	16000538	AISI 316	1026947
1	Aluminium Cradle for 9041	1025381	16000539	AlMgSiO ₅	1026947
Item	Description	Part No	Drawing No	Material	Lashing Arrangement

If the product is requested to be manufactured differently, this MUST be approved by VIKING LIFE-SAVING EQUIPMENT A/S and a specification of change must be filled in if the alteration is approved. Unless otherwise specified the product must always be clearly labelled with Viking part no., manufacturer ID and manufacturing year.

MATERIAL NO: 1024836	Old DWG No: -	STATUS: FR	UNITS: mm/kg	WEIGHT: 34097.387	CHECK DATE/INIT: 20100521/LHM
BASIC MATERIAL:		SURFACE TREATMENT:		SHEETSIZE: A3	SCALE: 1:10
				SHEET NO.: 1/1	DRAWN DATE/INIT: 20100519/DW

	VIKING LIFE-SAVING EQUIPMENT A/S Sædding Ringvej 13, DK-6710 Esbjerg V Tel.: +45 7611 8100 Fax.: +45 7611 8101 E-mail: viking@viking-life.dk Web: www.VIKING-life.com	PROJECTION TYPE  FIRST ANGLE PROJECTION GENERAL TOLERANCE: -	DESCRIPTION: Container 016-9041 Sales Specification Low Profile Type #250 6 DK "A"+"B" / 12 IBA	
	Copyright of VIKING LIFE-SAVING EQUIPMENT DENMARK whose property this document remains. No part thereof may be disclosed, copied, duplicated or in any other way made use of except with the approval of VIKING LIFE-SAVING EQUIPMENT DENMARK.		CAD NO.: 14000384	Drawing NO.: 16000546

Slots measure from Center of container follows WI.

Location	C1	D1
Dimension (mm)	300 ±5	300 ±5

1

2

3

4

5

6

E

E