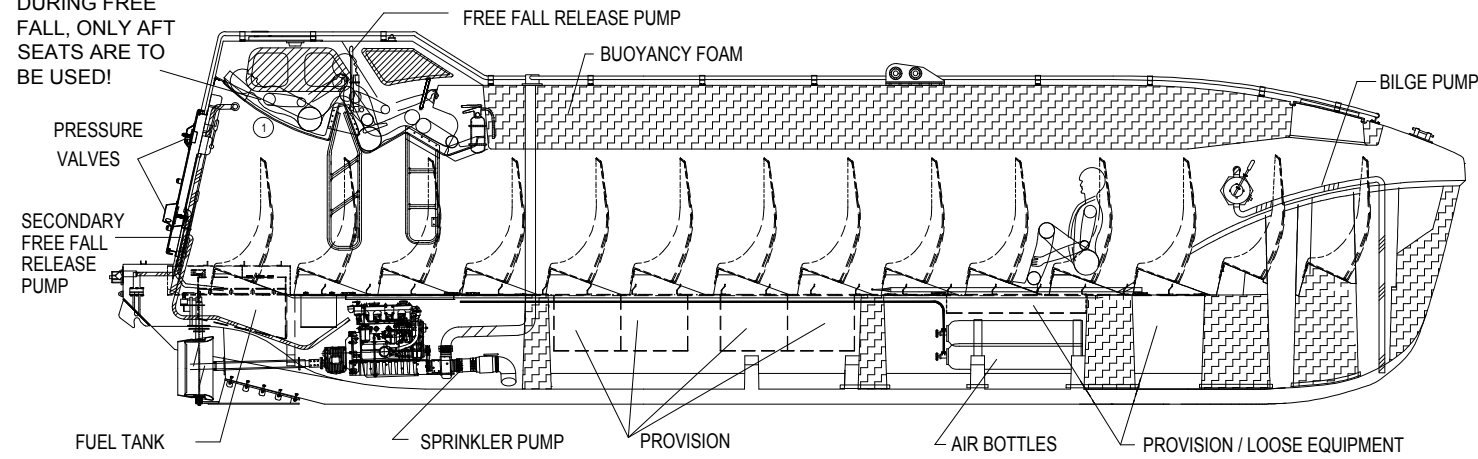
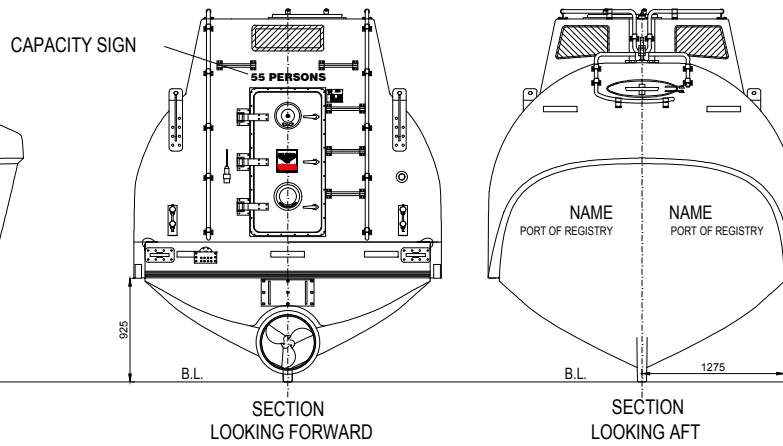
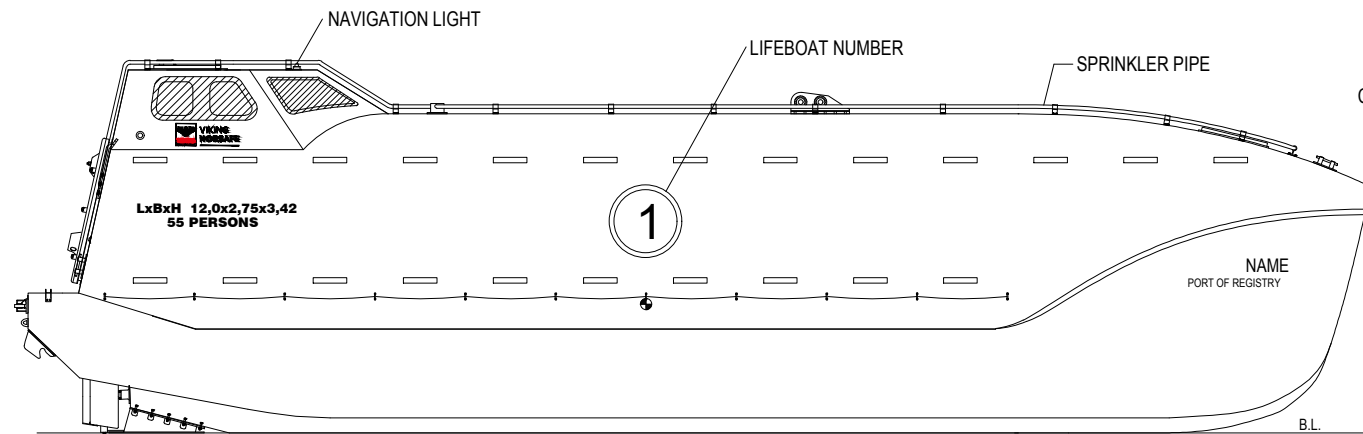
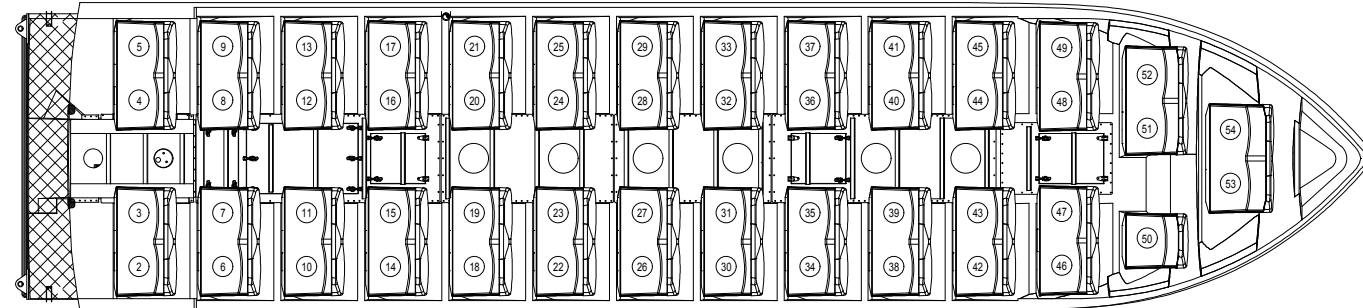


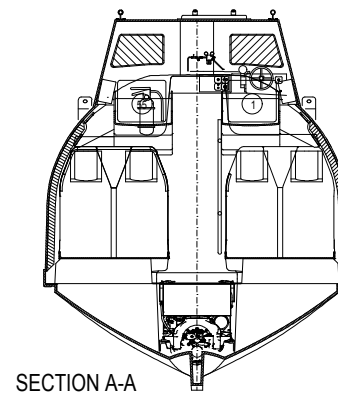
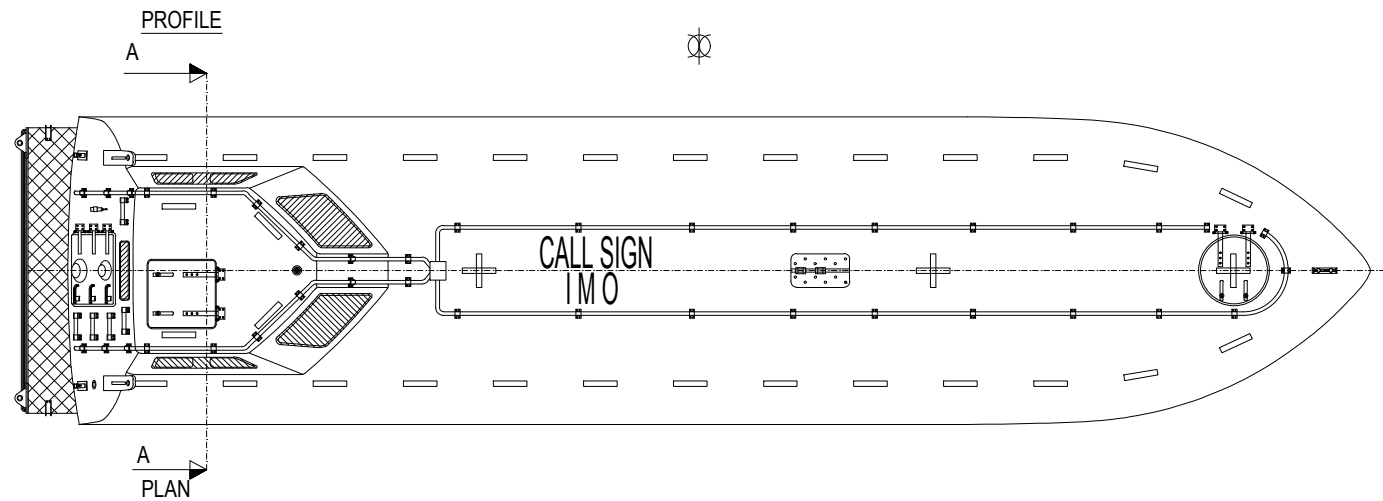
IMPORTANT  
SEAT 1 & 55;  
DURING FREE  
FALL, ONLY AFT  
SEATS ARE TO  
BE USED!



NO. OF PERSONS	NUMBER OF INAPPLICABLE SEATS									
55										
54	55									
53	55	54								
52	55	54	53							
51	55	54	53	52						
50	55	54	53	52	51					
49	55	54	53	52	51	50				
48	55	54	53	52	51	50	49			
47	55	54	53	52	51	50	49	48		
46	55	54	53	52	51	50	49	48	47	
45	55	54	53	52	51	50	49	48	47	46



PRINCIPAL DIMENSIONS:  
 CAPACITY: 55 persons  
 LENGTH OVERALL: 12,000 m  
 WIDTH OVERALL: 2,750 m  
 HEIGHT OVERALL: 3,420 m  
 WEIGHT OF BOAT WITH EQUIPMENT: 8842.5 Kg  
 WEIGHT OF BOAT WITH PERSONS: 13380 Kg  
 SPEED: 6 Knots



1	Update logo	STHU	EVJI	THWA	28.16.2019
0	Issued for construction	RZH	JKJI	THWA	11.11.2016
REV	DESCRIPTION	BY	CHECK	APPRO	DATE

REVISION HISTORY

**VIKING NORSAFE**

VIKING Norsafe Life-Saving Equipment Norway AS  
 P.O. Box 115  
 4852 Færvik  
 NORWAY  
 Tel: +47 37 05 85 00  
 Fax: +47 37 05 85 01  
 24/7 Service: +47 37 05 63 33  
 Email: viking@viking-life.com

This drawing is the sole property of VIKING Norsafe Life-Saving Equipment Norway AS. It must not be submitted to other parties nor used in any manner detrimental to our interests. It shall not be copied, reproduced, used for manufacturing or sale without the written consent of VIKING Norsafe Life-Saving Equipment Norway AS. All rights are reserved.

DWG SIZE: A3 SCALE: 1:50 COPY OF: PART NO.: WEIGHT: N/A SHEET: 1/1

CLIENT NO.: PROJECT METHOD: GA WITH HRS-20 TANK VERSION  
 TOLERANCES: ISO 2768-mk, ISO 13920-BF REVISION: 1  
 DWG No.: G-501746 PROJECT: GES-40 MK II ASSEMBLY