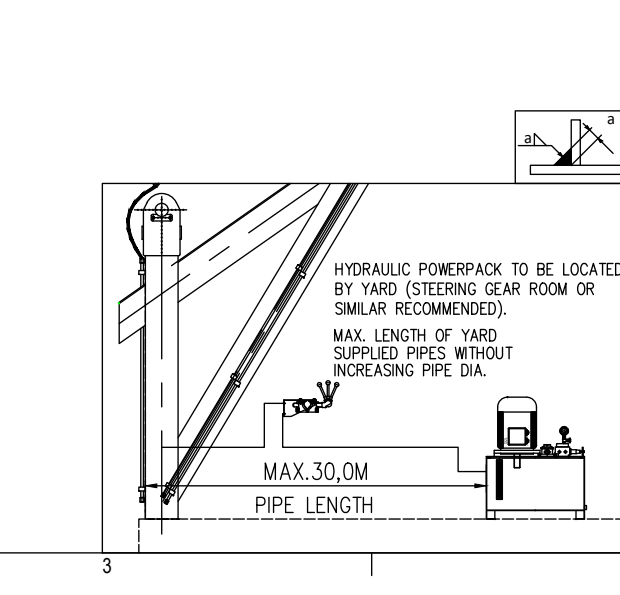
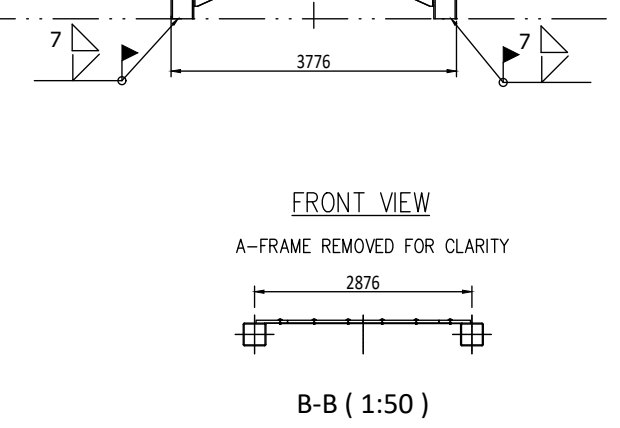
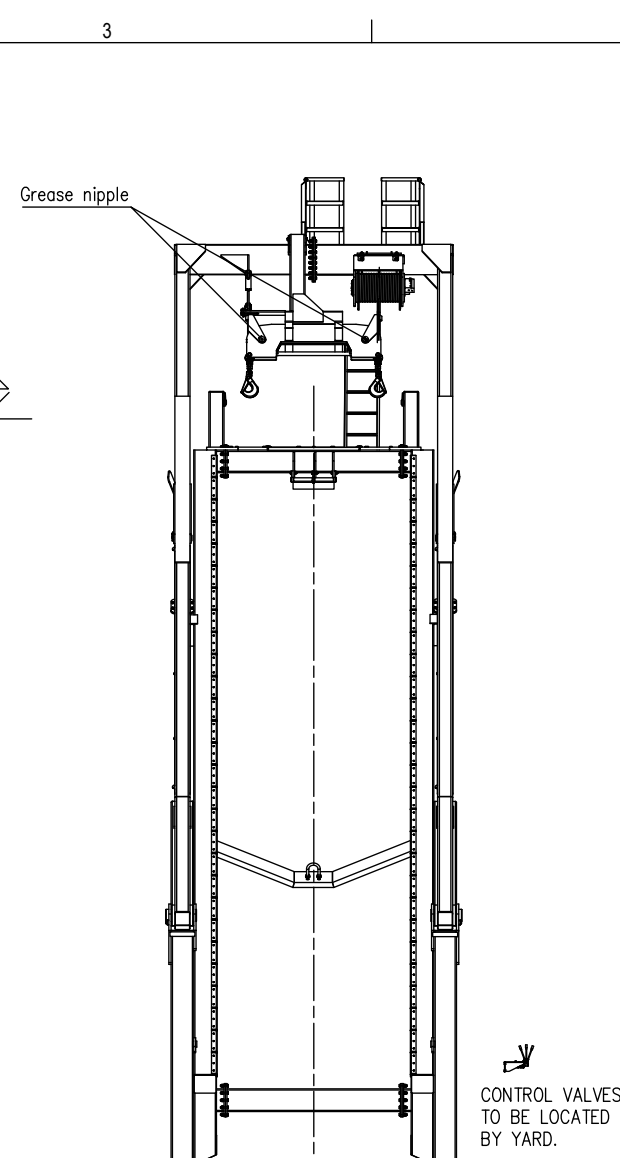
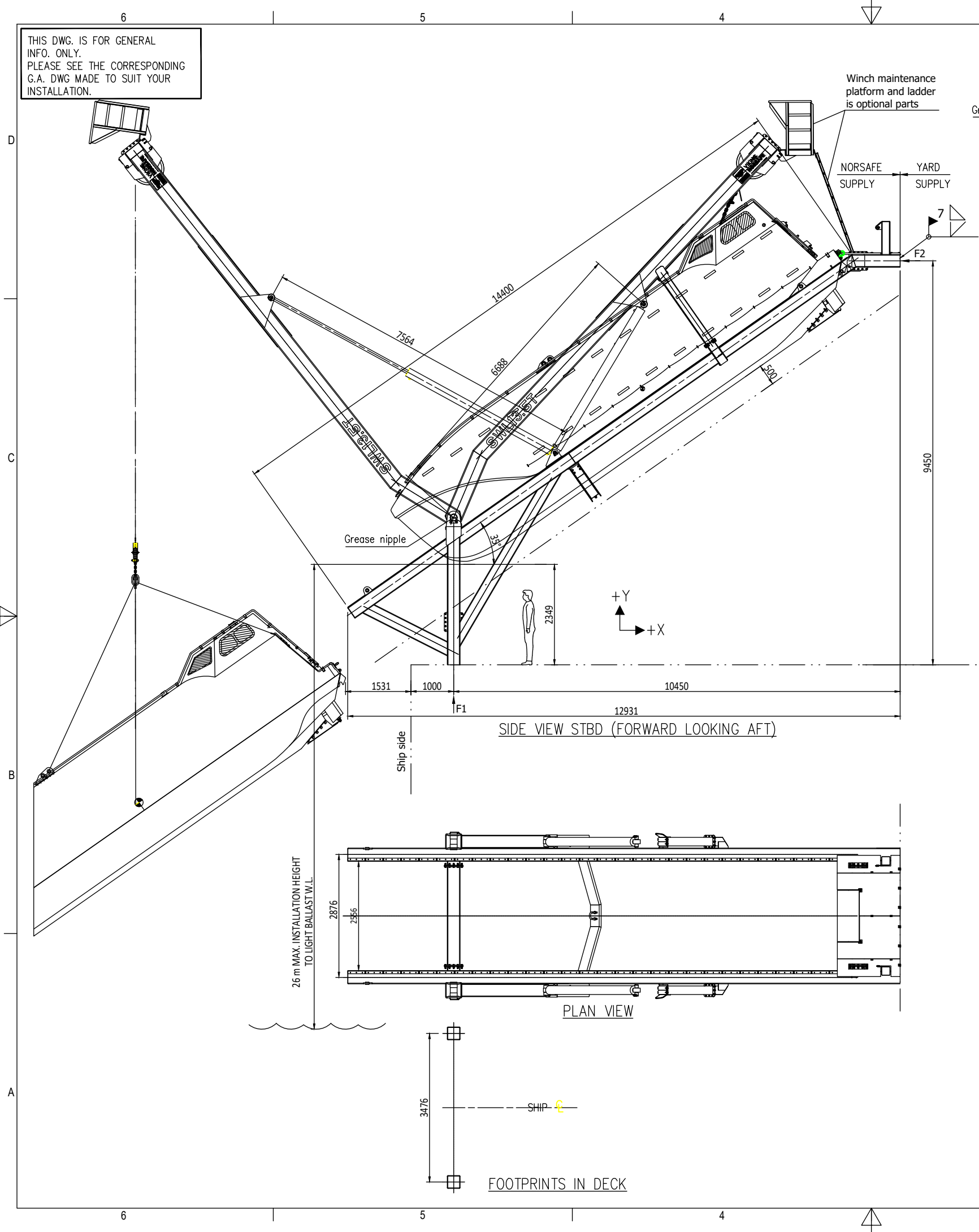


THIS DWG. IS FOR GENERAL INFO. ONLY. PLEASE SEE THE CORRESPONDING G.A. DWG MADE TO SUIT YOUR INSTALLATION.



**HD-40 Davit for GES-40 Free Fall Lifeboat:**

SWL Lowering	13500 kg
Hoisting speed	5 m/min
Lowering speed	5 m/min
Total davit weight	APPROX. 16000 kg
Design specification	20° list / 10° trim
Primary means of launching	Free fall 20° list, 10° trim simultaneously
Secondary launching	Lowering by winch (5° list / 2° trim) EL. Power must be available
Max. inst. height	26 m

- NOTES:**
- Access platforms, handrails, doubler plates etc. :Yard supply.
  - Location of hydraulic power unit to be decided by yard. (Under-deck installation IP55).
  - Hydraulic piping between hydraulic power unit, davit and control valve to be yard supply.
  - All electric wiring by yard.
  - All field welds to be performed acc. to approved WPS. (Yard responsible)  
All field welding is subject to class approval prior to start welding.
  - All field welds shown to be welded by yard during installation.

**FORCES IN DECK (POINT LOAD EACH SIDE):**

	Horizontal	Vertical	Horizontal	Moment		
	FORCE X	FORCE Y	FORCE Z	MOM X	MOM Y	MOM Z
	kN	kN	kN	kNm	kNm	kNm
F1	44	95	6	15	5	11
F2	-123	40	-27	-52	-28	-36

**Reaction forces:**  
Reaction forces as joint loads side, marked with nodes on deck interface.  
For orientation of forces see legend with marked XYZ vectors.  
All forces are point loads, nominal forces without any factors.

REV	DESCRIPTION	BY	CHECK	APPRO	DATE
2	Updated max. inst. height	SHWA	GACA	WAGU	18.09.2021
1	Reissued for approval	JUCH	CEZH	WAGU	26.06.2019
0	Issued for approval	JETA	CEZH	WAGU	11.11.2016

**REVISION HISTORY**

VIKING NORSAFE Life-Saving Equipment Norway AS  
P.O. Box 115, 4852 Faerвик, NORWAY  
Tel: +47 37 05 85 00  
Fax: +47 37 05 85 01  
24/7 Service: +47 37 05 63 33  
Email: viking@viking-life.com

This drawing is the sole property of VIKING Norsafe Life-Saving Equipment Norway AS. It must not be submitted to other parties nor used in any manner detrimental to our interests. It shall not be copied, reproduced, used for manufacturing or sale without the written consent of VIKING Norsafe Life-Saving Equipment Norway AS. All rights are reserved.

DWG SIZE: A3 SCALE: 1:100 COPY OF: PROJECT METHOD: HD-40 DAVIT FOR GES-40(INI WINCH/HYD FF)  
TOLERANCES: ISO 2768-mk, ISO 13920-BF REVISION: 2  
DWG No.: G-501747 PROJECT: GENERAL ARRANGEMENT