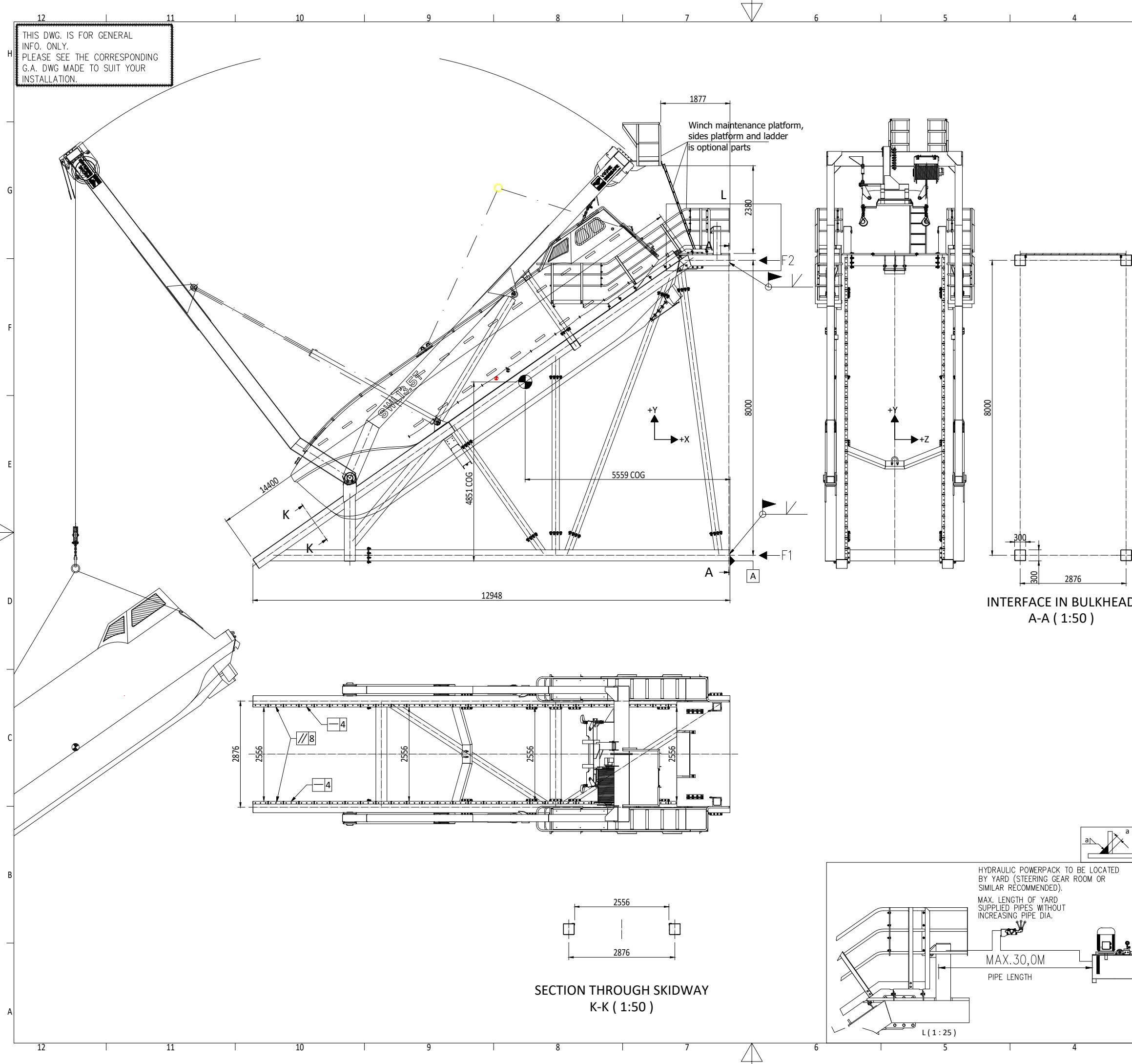


THIS DWG. IS FOR GENERAL INFO. ONLY. PLEASE SEE THE CORRESPONDING G.A. DWG MADE TO SUIT YOUR INSTALLATION.



HD-40 S Davit for GES-40 Free Fall Lifeboat:

SWL Lowering	13500 kg
Hoisting speed	5 m/min
Lowering speed	5 m/min
Total davit weight	APPROX.19800 kg
Design specification	20° list / 10° trim
Primary means of launching	Free fall 20° list, 10° trim simultaneously
Secondary launching	Lowering by winch (5° list / 2° trim) EL. Power must be available
Max. inst. height	26 m

NOTES:

1. Access platforms, handrails, doubler plates etc. :Yard supply.
2. Location of hydraulic power unit to be decided by yard. (Under-deck installation IP55).
3. Hydraulic piping between hydraulic power unit, davit and control valve to be yard supply.
4. All electric wiring by yard.
5. All field welds to be performed acc. to approved WPS. (Yard responsible)
All field welding is subject to class approval prior to start welding.
6. All field welds shown to be welded by yard during installation.

FORCES IN DECK (POINT LOAD EACH SIDE):

	Horizontal FORCE X kN	Vertical FORCE Y kN	Horizontal FORCE Z kN	Moment MOM X kNm	Moment MOM Y kNm	Moment MOM Z kNm
F1	150/-556	137	88	4	10/-8	-45
F2	301	102	58/-19	7/-13	38	-70

Reaction forces:
Reaction forces as joint loads side, marked with nodes on deck interface.
For orientation of forces see legend with marked XYZ vectors.
All forces are point loads, nominal forces without any factors.

1	Updated max. inst. height	SHWA	GACA	WAGU	17.09.2021
REV	REASON FOR ISSUE	BY	CHECK	APPRO	DATE

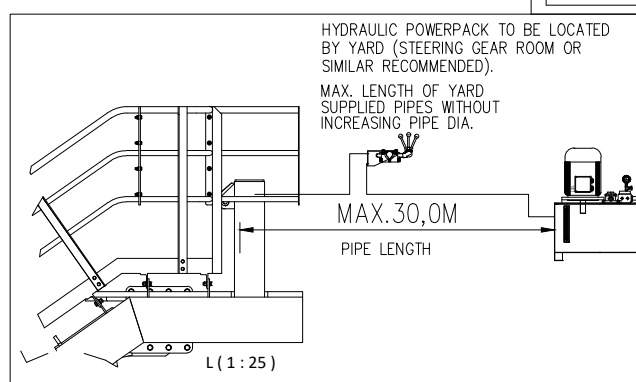
REVISION HISTORY



VIKING Norsafe Life-Saving Equipment Norway AS
P.O. Box 115 Tel: +47 37 05 85 00
4852 Færvik Fax: +47 37 05 85 01
NORWAY 24/7 Service: +47 37 05 63 33
Email: Viking-Norsafe@viking-life.com

Drawn by: CEZH, Check by: SHWA, Appr. by: WAGU, Initial release date: 17.05.2021

Project number	Project name	Client number
Title HD-40 S DAVIT FOR GES-40 INI-Winch SWL=13.5T		Material Number
Drawing type GA		Weight
Tolerances ISO 2768-mK, ISO 13920-BF		Projection method
Scale 1:100		Sheet Size A3
Revision Number 1		Sheet No. 1/1
Drawing Number G-504331		



**SECTION THROUGH SKIDWAY
K-K (1:50)**

**INTERFACE IN BULKHEAD
A-A (1:50)**