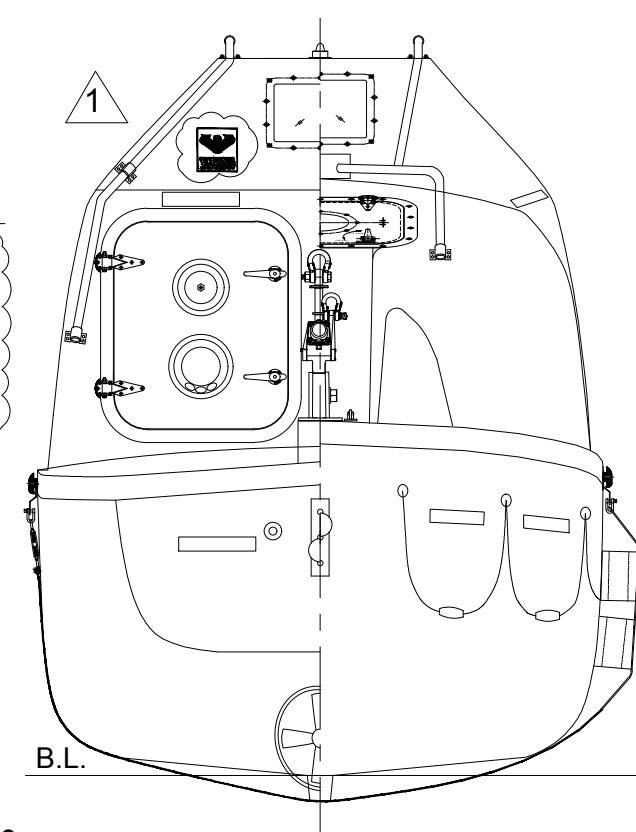
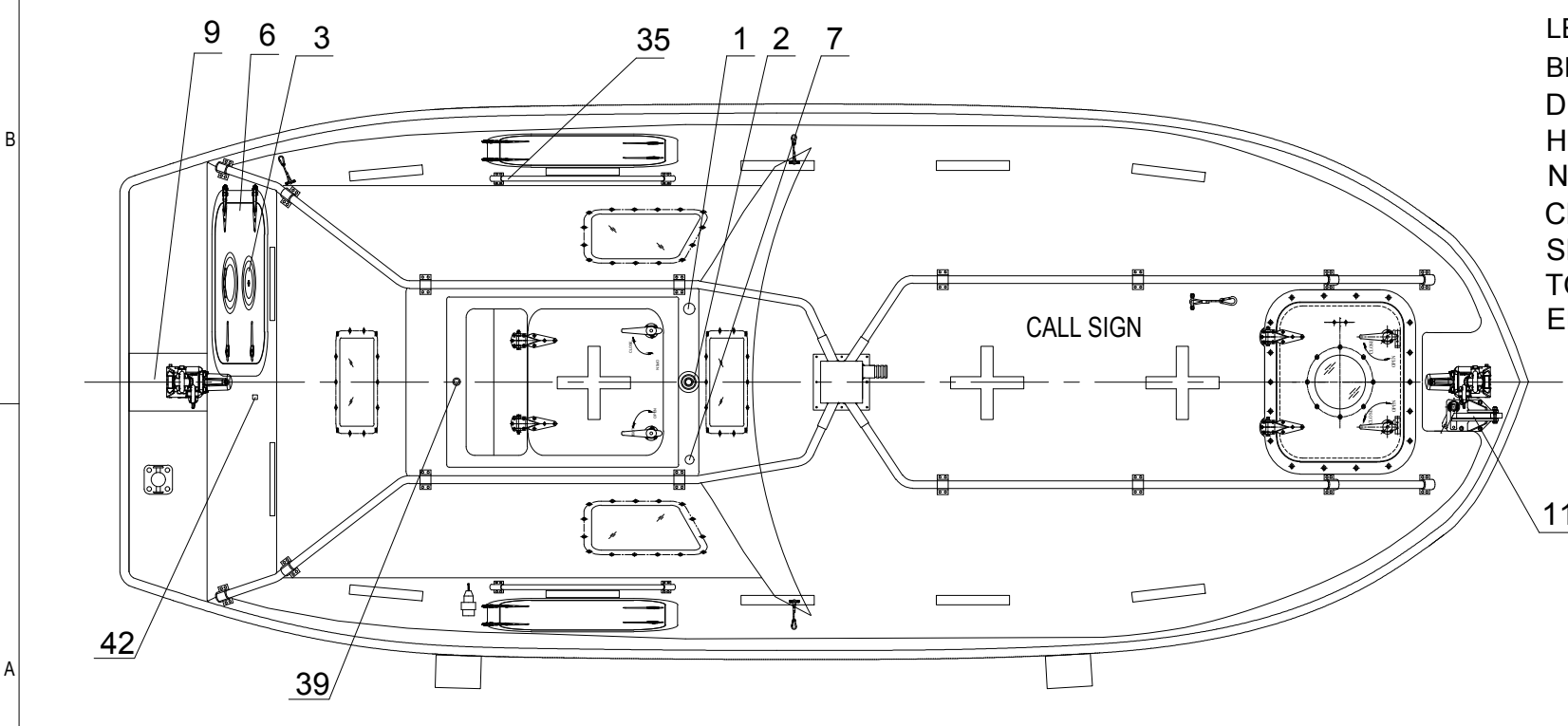


ELEVATION



REAR/FRONT VIEW



PLAN (BOAT ON PORT SIDE SHOWN)

MAIN PARTICULARS

LENGTH (MOULDED) 5.70M
 BREADTH (MOULDED) 2.20M
 DEPTH 1.20M
 HOOK DIST 5.30M
 NO. OF PERSON 26P
 CRAFT WEIGHT 2705KG
 SPEED >6Kn
 TOTAL WEIGHT 4850KG (82.5Kg/pers)
 ENGINE 380J-3
 BUKH RME 24DV
 YANMAR 3JH25A
 BUKH BETA 28EPA
 SABB L3.139 LB

| | | | | |
|-----|-----------------------------|-------------|------------------------------|---------|
| 46 | OPERATION PANEL | 1 | | |
| 45 | HYDRAULIC PUMP OR TANK | 1 | | |
| 44 | ACCUMULATOR | 1 | | |
| 43 | PLUG FOR BATTERY CHARGING | 1 | IP67 | |
| 42 | VENT FOR BATTERIES | 1 | SS 316 & PVC HOSE | |
| 41 | WATER SENSOR UNIT | 1 | | |
| 40 | EMERGENCY RELEASE VALVE | 1 | | |
| 39 | RAIN COLLECTOR | 1 | BRASS | |
| 38 | SPRINKLE OUTLET/ PIPING | 1 LOT | SEA WATER RESISTANT ALUM. | |
| 37 | EMERGENCY STEERING HANDLE | 1 | HOT DIPPED GALVANIZED STEEL | |
| 36 | SKATE | 2 | RUBBER & ALUM. | |
| 35 | RAIL | 2 | SEA WATER RESISTANT ALUM. | |
| 34 | FOOD COMPARTMENT | 1 | F.R.P. | |
| 33 | OAR/CRUTCH | 2 | WOOD | |
| 32 | WATER CABIN | 2 | F.R.P.WATER-RESISTANT | |
| 31 | STEERING GEAR | 1 | | |
| 30 | ENGINE & PROPELLER SHAFT | 1 | | |
| 29 | STEERING NOZZLE & PROPELLER | 1 | F.R.P./NiMn-Bronze Cu3-Cu4 | |
| 28 | BATTERIES | 2 | 70AH | |
| 27 | AXE | 2 | | |
| 26 | PILLAR | 1 | | |
| 25 | SPRINKLE PUMP | 1 | | |
| 24 | DRAIN PLUG | 1 | BRASS | |
| 23 | MANUAL PUMP | 1 | | |
| 22 | FIRE EXTINGUISHER | 1 | | |
| 21 | FUEL TANK | 1 | SEA WATER RESISTANT ALUM. | |
| 20 | AIR CYLINDER | 3 | | |
| 19 | SAFETY BELT | 1/PERS | | |
| 18 | EQUIPMENT COMPARTMENT | 2 | | |
| 17 | DOOR LATCH | 1 LOT | SS316 & PVC SHIELD WIRE ROPE | |
| 16 | BACK REST | 1 | PLYWOOD | |
| 15 | CONTROL PANEL | 1 | | |
| 14 | SEARCH LIGHT | 1 | | |
| 13 | INT. LIGHT | 2 | | |
| 12 | PILOT CHAIR | 1 | F.R.P. | |
| 11 | PAINTER HOOK | 1 | HOT DIPPED GALVANIZED STEEL | |
| 10 | GRIPING BOBBIN | 2 | HOT DIPPED GALVANIZED STEEL | |
| 9 | HOOKS DEVICE ARRANGEMENT | 2 | NADIRO DIB 32 | |
| 8 | LIFE LINE | 2 | | |
| 7 | REMOTE CONTROL LINE HOLE | 1 | | |
| 6 | DOOR | 1 LOT | | |
| 5 | BOLLARD | 1 | SS 316 | |
| 4 | REFLECT LIGHT STRIP | 1 LOT | | |
| 3 | VENTILATOR | 2 | | |
| 2 | POSITION LIGHT | 1 | | |
| 1 | RADAR REFLECTOR | 1 | | |
| NO. | REF.DWG.NO. | DESCRIPTION | QTY. | REMARKS |

| | | | | | |
|-----|-------------------------|------|-------|-------|------------|
| 1 | USE NEW TEMPLATE | KARL | THWA | TMA | 01.07.2019 |
| 0 | ISSUED FOR CONSTRUCTION | VX | THWA | TMA | 05.05.2015 |
| REV | DESCRIPTION | BY | CHECK | APPRO | DATE |

REVISION HISTORY

VIKING NORSAFE

VIKING Norsafe Life-Saving Equipment Norway AS
 P.O Box 115 Tel: +47 37 05 85 00
 4852 Færvik Fax: +47 37 05 85 01
 NORWAY 24/7 Service: +47 37 05 63 33
 Email: viking@viking-life.com

This drawing is the sole property of VIKING Norsafe Life-Saving Equipment Norway AS. It must not be submitted to other parties nor used in any manner detrimental to our interests. It shall not be copied, reproduced, used for manufacturing or sale without the written consent of VIKING Norsafe Life-Saving Equipment Norway AS. All rights are reserved.

| | | | | | |
|---------------------------------------|--------------------|----------------------|----------|---------|-------------|
| DWG SIZE: A3 | SCALE: 1:30 | COPY OF: | PART NO. | WEIGHT: | SHEET 1 / 1 |
| CLIENT NO: | PROJECTION METHOD: | EXTERNAL ARRANGEMENT | | | |
| TOLERANCES: ISO 2768-mk, ISO 13920-BF | REVISION: 1 | NADIRO DIB 32 | | | |
| DWG No: G-503211 | PROJECT: STANDARD | JYN-57T | | | |
| | | GENERAL | | | |

Due to manufacturing reasons dimensions may vary up to 50mm