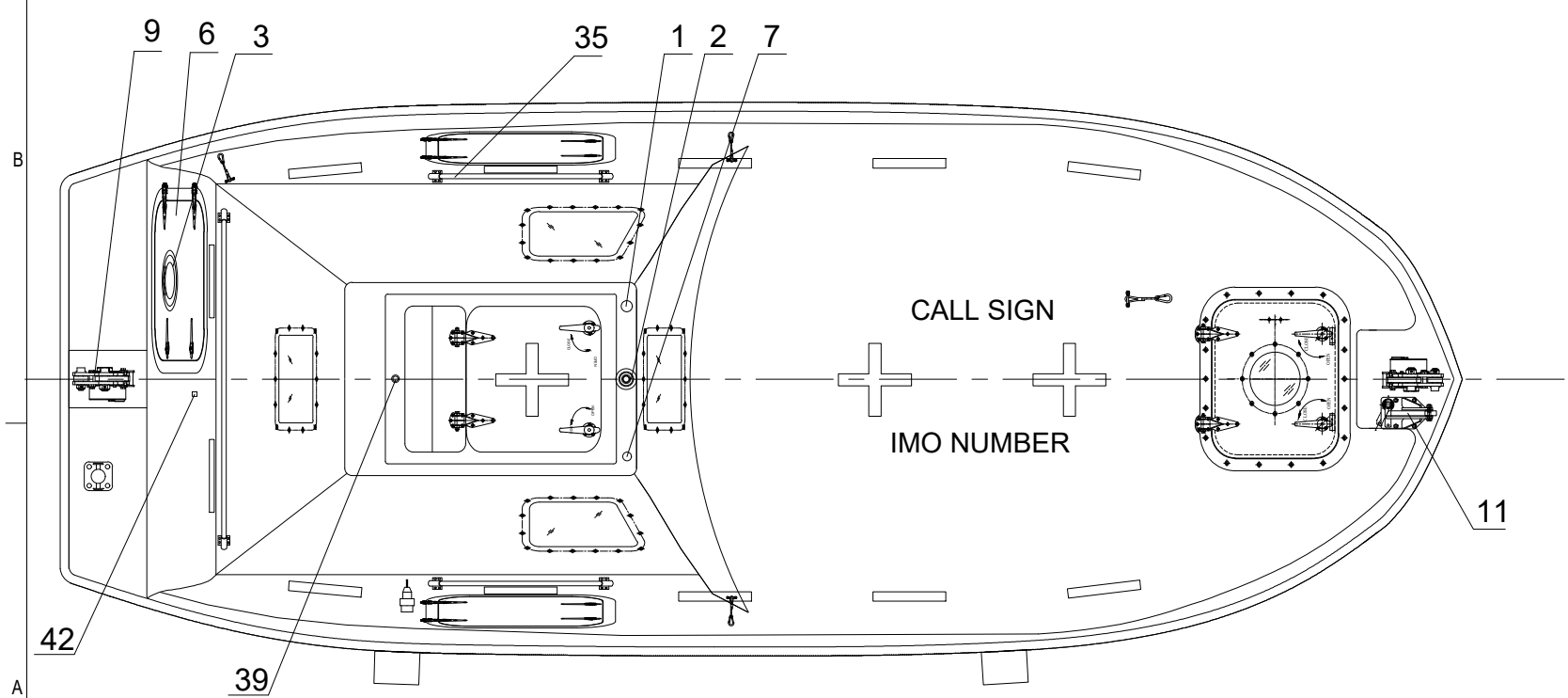


REAR/FRONT VIEW



PLAN (BOAT ON PORT SIDE SHOWN)

MAIN PARTICULARS

LENGTH (MOULDED)	5.70M
BREADTH (MOULDED)	2.20M
DEPTH	1.20M
HOOK DIST	5.30M
NO. OF PERSON	26P
CRAFT WEIGHT	2705KG
SPEED	>6Kn
TOTAL WEIGHT	4850KG (82.5Kg/pers)
ENGINE	380J-3

43	PLUG FOR BATTERY CHARGING	1	IP67
42	VENT FOR BATTERIES	1	SS 316 & PVC HOSE
41	HYDROSTATIC UNIT	1	
40	RELEASE MECHANISM	1	ALSI 316
39	RAIN COLLECTOR	1	BRASS
38			
37	EMERGENCY STEERING HANDLE	1	HOT DIPPED GALVANIZED STEEL
36	SKATE	2	RUBBER & ALUM.
35	RAIL	2	SEA WATER RESISTANT ALUM.
34	FOOD COMPARTMENT	1	F.R.P.
33	OAR/CRUTCH	2	WOOD
32	WATER CABIN	2	F.R.P.WATER-RESISTANT
31	STEERING GEAR	1	
30	ENGINE & PROPELLER SHAFT	1	
29	STEERING NOZZLE & PROPELLER	1	F.R.P./NiMn-Bronze Cu3-Cu4
28	BATTERIES	2	70AH
27	AXE	2	
26	PILLAR	1	
25			
24	DRAIN PLUG	1	BRASS
23	MANUAL PUMP	1	
22	FIRE EXTINGUISHER	1	
21	FUEL TANK	1	SEA WATER RESISTANT ALUM.
20			
19	SAFETY BELT	1/PERS	
18	EQUIPMENT COMPARTMENT	2	
17	DOOR LATCH	1 LOT	SS316 & PVC SHIELD WIRE ROPE
16	BACK REST	1	PLYWOOD
15	CONTROL PANEL	1	
14	SEARCH LIGHT	1	
13	INT. LIGHT	2	
12	PILOT CHAIR	1	F.R.P.
11	PAINTER HOOK	1	HOT DIPPED GALVANIZED STEEL
10	GRIPING BOBBIN	2	HOT DIPPED GALVANIZED STEEL
9	HOOKS DEVICE ARRANGEMENT	2	TOR-MK2-S 3.36T
8	LIFE LINE	2	
7	REMOTE CONTROL LINE HOLE	1	
6	DOOR	1 LOT	
5	BOLLARD	1	SS 316
4	REFLECT LIGHT STRIP	1 LOT	
3	VENTILATOR	2	
2	POSITION LIGHT	1	
1	RADAR REFLECTOR	1	

NO.	REF.DWG.NO	DESCRIPTION	QTY.	REMARKS
3		SPECIFIED THE ENGINE TYPE	KARL	STHU THWA 25.02.2021
2		USE NEW TEMPLATE	KARL THWA TMA	12.06.2019
1		SPECIFIED THE ENGINE TYPE	VX THWA TMA	16.07.2015

REVISION HISTORY

		VIKING Norsafe Life-Saving Equipment Norway AS P.O.Box 115 4852 Færvik NORWAY Tel: +47 37 05 85 00 Fax: +47 37 05 85 01 24/7 Service: +47 37 05 63 33 Email: Viking-Norsafe@viking-life.com	
Drawn by	Check by	Appr. by	Initial release date
VX	THWA	TMA	05.05.2015

Project number	Project name	Client number
Standard		
Title		Material Number
EXTERNAL ARRANGEMENT		Weight
TOR MK2-S 3.36T		Projection method
JYN-57DC		
Drawing type	Tolerances	Scale
GA	ISO 2768-mK, ISO 13920-BF	1:60
Drawing Number	Revision	Sheet Size
G-500789	3	A3
		Sheet No.
		1/1

Due to manufacturing reasons dimensions may vary up to 50mm
 Port side shown, Starboard side is Mirrored