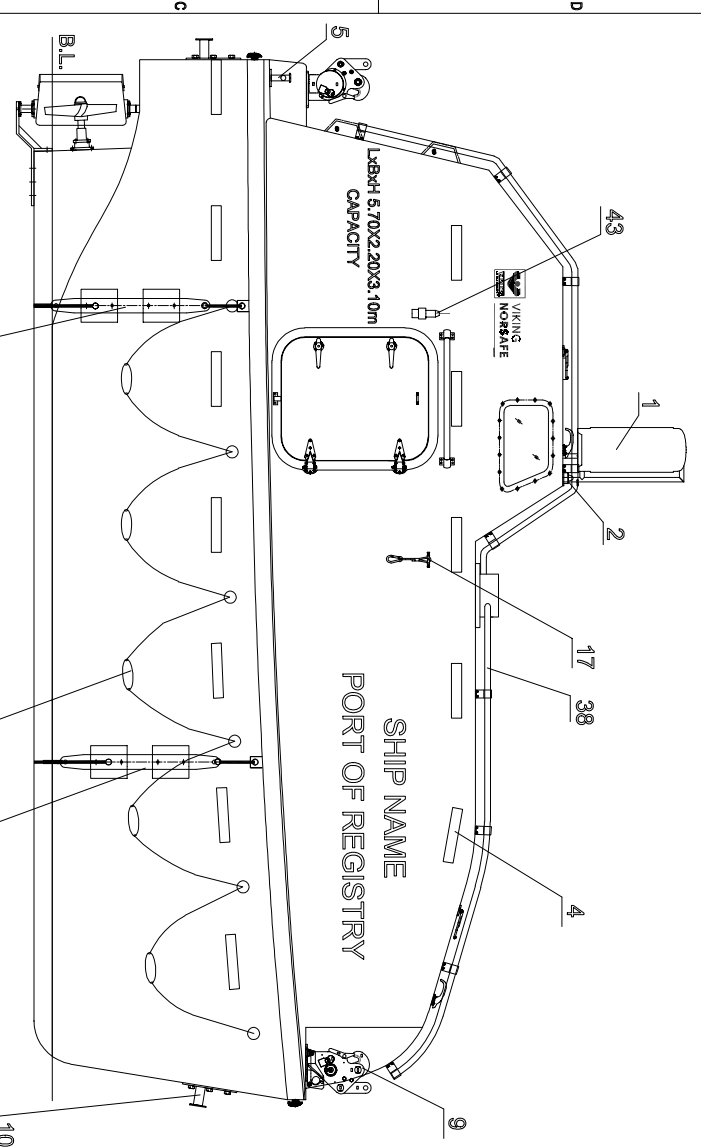
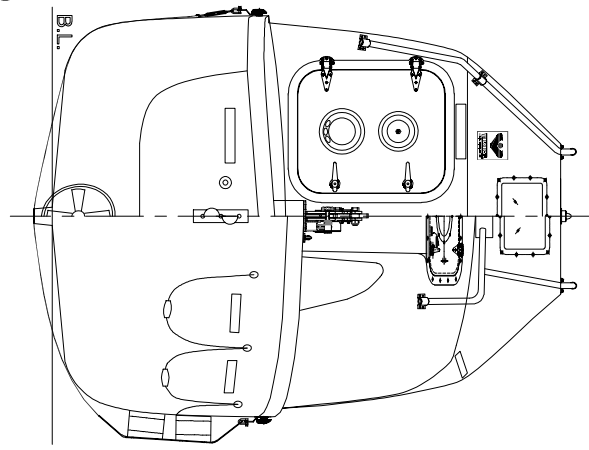


MAIN PARTICULARS

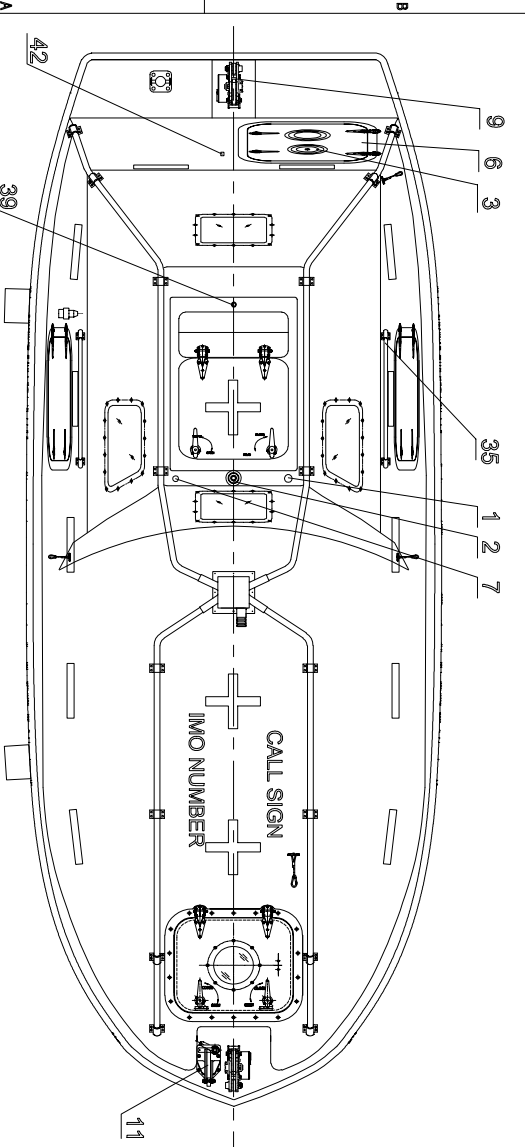
LENGTH (MOULDED)	5.70M
BREADTH (MOULDED)	2.20M
DEPTH	1.20M
HOOK DIST	5.30M
NO. OF PERSON	26P
CRAFT WEIGHT	2705KG
SPEED	>6Kn
TOTAL WEIGHT	4850KG (82.5Kg/pers)
ENGINE	380U-3



ELEVATION



REAR/FRONT VIEW



PLAN

NO.	REVISION	DESCRIPTION	BY	CHECK	APPRO	DATE
43		PLAN FOR BATTERY CHARGING	1	JPR		
42		VENT FOR BATTERIES	1	SS 316 & PVC HOSE		
41		RELEASE MECHANISM	1	ABR 316		
40		RAIN COLLECTOR	1	BRASS		
39		SPRINKLE OUTLET / PIPING	1	LOT		
38		EMERGENCY STEERING HANDLE	1	HOT DIPPED GALVANIZED STEEL		
37		SHOULDER	2	RUBBER & ALUM.		
36		FOUL COMPARTMENT	2	F.R.P. WATER RESISTANT ALUM.		
35		WATER CABIN	2	WOOD		
34		COMPARTMENT	2	F.R.P. WATER RESISTANT		
33		STEERING GEAR	1	1		
32		ENGINE & PROPELLER SHAFT	1	5.2 P. NIMH-Storage		
31		BATTERIES	2	70AH		
30		AXE	1	1		
29		PILLAR	1	1		
28		SPRINKLE PUMP	1	BRASS		
27		DRYING TUB	1	1		
26		WATER PUMP	1	1		
25		FIRE EXTINGUISHER	1	SEA WATER RESISTANT ALUM.		
24		FUEL TANK	3	1		
23		SAFETY BELT	1	1		
22		SEARCH LIGHT	1	1		
21		DOOR REST	1	1		
20		CONTROL PANEL	1	1		
19		BACK REST	1	1		
18		SEARCH LIGHT	1	1		
17		PAINTER HOBBIN	2	F.R.P.		
16		HOOKS DEVICE ARRANGEMENT	2	HOT DIPPED GALVANIZED STEEL		
15		LIFE LINE	2	TOR-LAMOS 3.3MT		
14		HOOKS DEVICE ARRANGEMENT	2	1		
13		ROLLARD	1	SS 316		
12		REFLECT LIGHT STRIP	2	1		
11		VENTILATOR	1	1		
10		CONTROL LIGHT	1	1		
9		NOVAKER LECTOR	1	1		
8		REVISION	1	1		
7		REVISION	1	1		
6		REVISION	1	1		
5		REVISION	1	1		
4		REVISION	1	1		
3		REVISION	1	1		
2		REVISION	1	1		
1		REVISION	1	1		

REVISION HISTORY

VIKING NORSAFE

VIKING Norsafe Life-Saving Equipment Norway AS
 P.O. Box 115
 4882 Froyvik
 NO-5718
 Tel: +47 57 06 88 00
 Fax: +47 57 06 88 01
 Email: Sales@viking-norsafe.com

EXTERNAL ARRANGEMENT

GENERAL

REVISED BY: JYN-57T
 TOR MKL-S.3.361

DATE: 18/03/2015

Due to manufacturing reasons dimensions may vary up to 50mm Port side shown, Starboard side is Mirrored