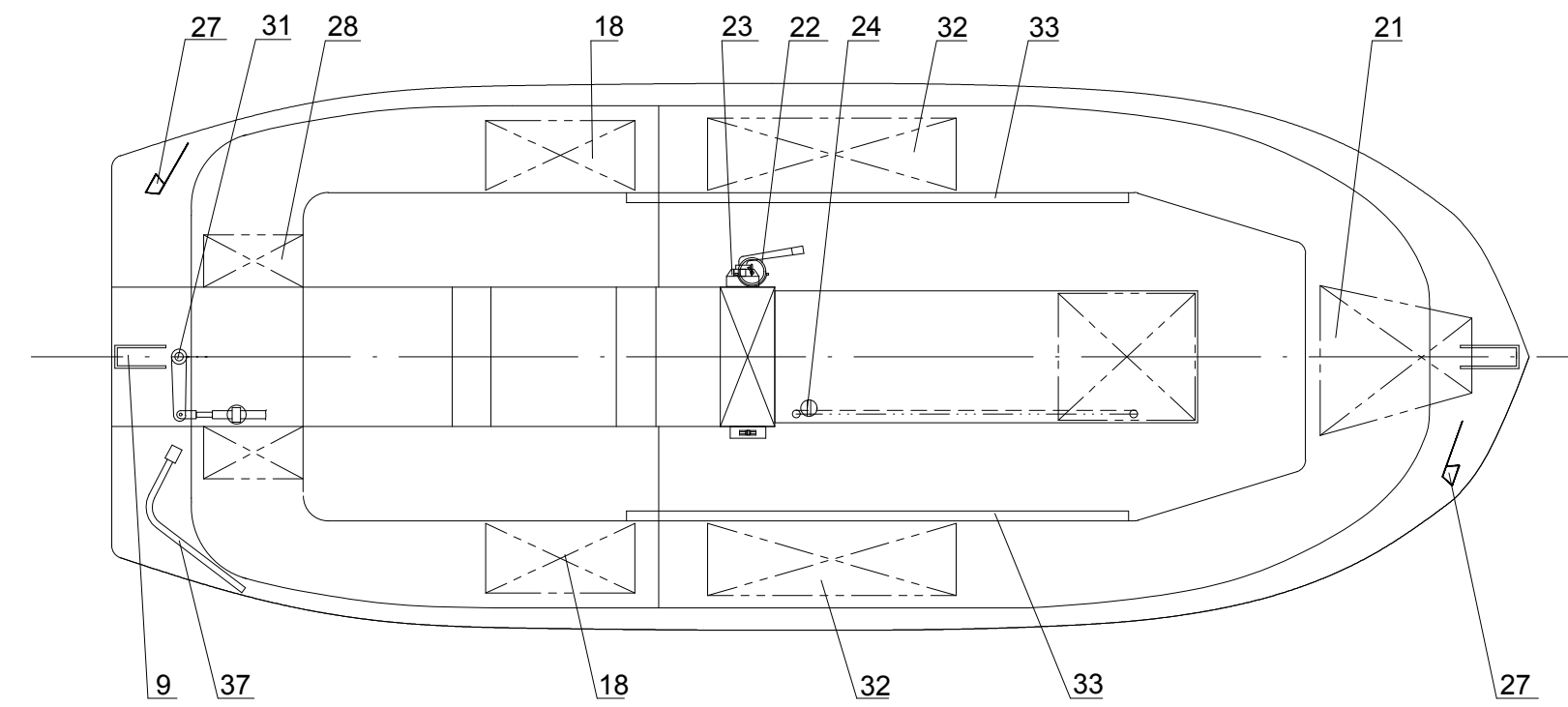


SECTION PROFILE



SECTION PLAN

Due to manufacturing reasons
dimensions may vary up to 50mm

NO.	REF.DWG.NO.	DESCRIPTION	QTY.	REMARKS
46		OPERATION PANEL	1	
45		HYDRAULIC PUMP OR TANK	1	
44		ACCUMULATOR	1	
43		PLUG FOR BATTERY CHARGING	1	IP67
42		VENT FOR BATTERIES	1	SS 316 & PVC HOSE
41		WATER SENSOR UNIT	1	
40		EMERGENCY RELEASE VALVE	1	
39		RAIN COLLECTOR	1	BRASS
38				
37		EMERGENCY STEERING HANDLE	1	HOT DIPPED GALVANIZED STEEL
36		SKATE	2	RUBBER & ALUM.
35		RAIL	2	SEA WATER RESISTANT ALUM.
34		FOOD COMPARTMENT	1	F.R.P.
33		OAR/CRUTCH	2	WOOD
32		WATER CABIN	2	F.R.P.WATER-RESISTANT
31		STEERING GEAR	1	
30		ENGINE & PROPELLER SHAFT	1	
29		STEERING NOZZLE & PROPELLER	1	F.R.P./NiMn-Bronze Cu3-Cu4
28		BATTERIES	2	70AH
27		AXE	2	
26		PILLAR	1	
25				
24		DRAIN PLUG	1	BRASS
23		MANUAL PUMP	1	
22		FIRE EXTINGUISHER	1	
21		FUEL TANK	1	SEA WATER RESISTANT ALUM.
20				
19		SAFETY BELT	1/PERS	
18		EQUIPMENT COMPARTMENT	2	
17		DOOR LATCH	1 LOT	SS316 & PVC SHIELD WIRE ROPE
16		BACK REST	1	PLYWOOD
15		CONTROL PANEL	1	
14		SEARCH LIGHT	1	
13		INT. LIGHT	2	
12		PILOT CHAIR	1	F.R.P.
11		PAINTER HOOK	1	HOT DIPPED GALVANIZED STEEL
10		GRIPING BOBBIN	2	HOT DIPPED GALVANIZED STEEL
9		HOOKS DEVICE ARRANGEMENT	2	NADIRO DIB 32
8		LIFE LINE	2	
7		REMOTE CONTROL LINE HOLE	1	
6		DOOR	1 LOT	
5		BOLLARD	1	SS 316
4		REFLECT LIGHT STRIP	1 LOT	
3		VENTILATOR	2	
2		POSITION LIGHT	1	
1		RADAR REFLECTOR	1	

REV	DESCRIPTION	BY	CHECK	APPRO	DATE
1	USE NEW TEMPLATE	KARL	THWA	TMA	01.07.2019
0	ISSUED FOR CONSTRUCTION	VX	THWA	TMA	05.05.2015

REVISION HISTORY

VIKING NORSAFE

VIKING Norsafe Life-Saving Equipment Norway AS
 P.O Box 115 Tel: +47 37 05 85 00
 4852 Færøvik Fax: +47 37 05 85 01
 NORWAY 24/7 Service: +47 37 05 63 33
 Email: viking@viking-life.com

This drawing is the sole property of VIKING Norsafe Life-Saving Equipment Norway AS. It must not be submitted to other parties nor used in any manner detrimental to our interests. It shall not be copied, reproduced, used for manufacturing or sale without the written consent of VIKING Norsafe Life-Saving Equipment Norway AS. All rights are reserved.

DWG SIZE: A3	SCALE: 1:30	COPY OF:	PART NO.	WEIGHT:	SHEET: 1/1
CLIENT NO:	PROJECTION METHOD:	INTERNAL ARRANGEMENT NADIRO DIB 32 JYN-57DC GENERAL			
TOLERANCES: ISO 2768-mk, ISO 13920-BF	REVISION: 1				
DWG No: G-503213	PROJECT: STANDARD				