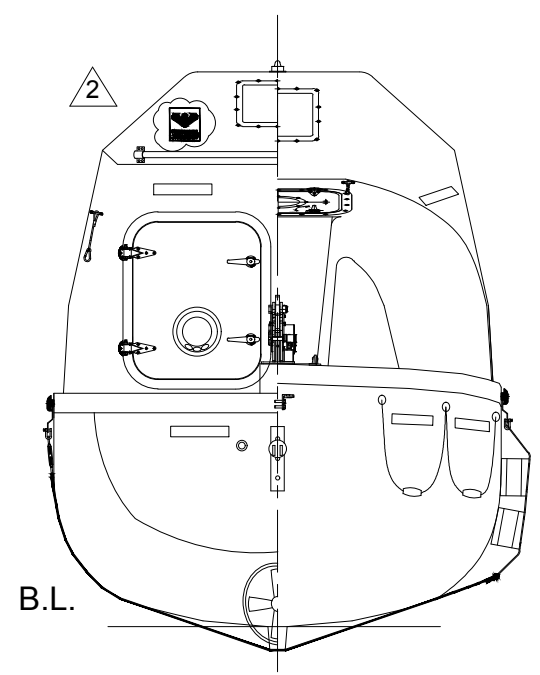
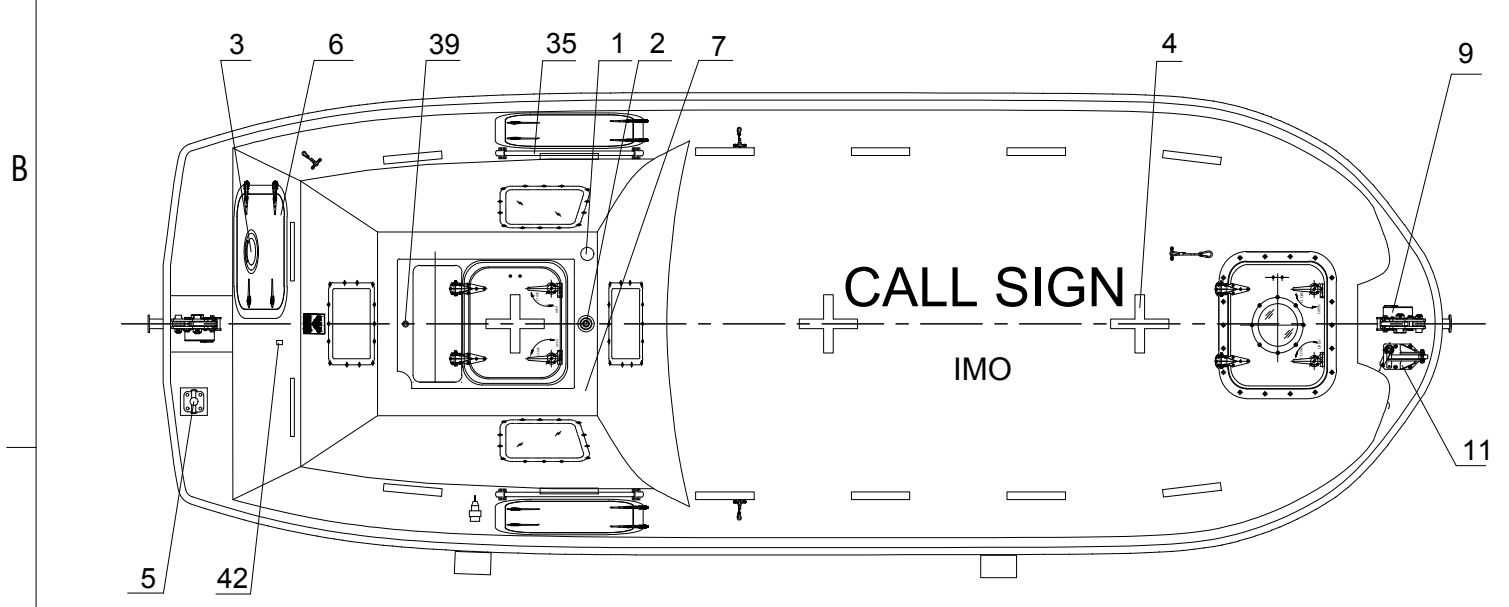


ELEVATION



REAR/FRONT VIEW



PLAN

PRINCIPAL DIMENSIONS

LENGTH (MOULDED)	6.50m
BREADTH (MOULDED)	2.30m
HEIGHT	3.10m
DEPTH MOULDED	1.20m
HOOK DIST	6.10m
CAPACITY	36 PERSONS
WEIGHT OF BOAT WITH EQUIPMENT	2930Kg
WEIGHT OF BOAT WITH PERSONS	5900Kg (82,5kg/pers)
SPEED	>6Kn
ENGINE	380J-3

NO.	REF.DWG.NO.	DESCRIPTION	QTY.	REMARKS
44		BRACKET FOR RELEASE UNIT	1	AISI 316L
43		PLUG FOR BATTERY CHARGING	1	IP56
42		VENT FOR BATTERIES	1	SS 316 & PVC HOSE
41		HYDROSTATIC UNIT	1	
40		RELEASE MECHANISM	1	AISI 316
39		RAIN COLLECTION	1	BRASS
38				
37		EMERGENCY STEERING HANDLE	1	HOT DIPPED GALVANIZED STEEL
36		SKATE	2	RUBBER & ALUM.
35		RAIL	2	STAINLESS STEEL
34		FOOD COMPARTMENT	1	F.R.P.
33		OAR/CRUTCH	2	WOOD
32		WATER COMPARTMENT	3	F.R.P. WATER-RESISTANT
31		STEERING GEAR	1	
30		ENGINE & PROPELLER SHAFT	1	
29		STEERING NOZZLE & PROPELLER	1	F.R.P./NIMn-Bronze Cu3-Cu4
28		BATTERIES	2	70AH
27		AXE	2	
26		PILLAR	1	
25				
24		DRAIN PLUG	1	BRASS
23		MANUAL PUMP	1	
22		FIRE EXTINGUISHER	1	
21		FUEL TANK	1	SEA WATER RESISTANT ALUM.
20				
19		SAFETY BELT	1/PERS	
18		EQUIPMENT COMPARTMENT	2	
17		DOOR LATCH AND HINGE	1 LOT	SS316 & PVC SHIELD WIRE ROPE
16		BACK REST	1	PLYWOOD
15		CONTROL PANEL	1	
14		SEARCH LIGHT	1	
13		INT. LIGHT	2	
12		HELMSMANS CHAIR	1	F.R.P.
11		PAINTER HOOK	1	HOT DIPPED GALVANIZED STEEL
10		Backing plate with bobbin	2	SS2377
9		HOOKS DEVICE ARRANGEMENT	2	TOR-MK2-S 3.36T
8		LIFE LINE	2	
7		REMOTE CONTROL LINE HOLE	1	
6		DOOR	1 LOT	
5		BOLLARD	1	SS 316
4		REFLECT LIGHT STRIP	1 LOT	
3		VENTILATOR	1	
2		POSITION LIGHT	1	
1		RADAR REFLECTOR	1	

2	Use new template	KAYU	KARL	THWA	20.06.2019
1	Updated aft door	SATA	VXI	THWA	27.11.2015
0	Issued for construction	VX	THWA	TMA	05.05.2015
REV	DESCRIPTION	BY	CHECK	APPRO	DATE

VIKING NORSAFE

VIKING Norsafe Life-Saving Equipment Norway AS
 P.O Box 115 Tel: +47 37 05 85 00
 4852 Færvik Fax: +47 37 05 85 01
 NORWAY 24/7 Service: +47 37 05 63 33
 Email: viking@viking-life.com

This drawing is the sole property of VIKING Norsafe Life-Saving Equipment Norway AS. It must not be submitted to other parties nor used in any manner detrimental to our interests. It shall not be copied, reproduced, used for manufacturing or sale without the written consent of VIKING Norsafe Life-Saving Equipment Norway AS. All rights are reserved.

DWG SIZE: A3 SCALE: 1:40 COPY OF: PART NO. WEIGHT: SHEET: 1/1

CLIENT NO. PROJECTION METHOD EXTERNAL ARRANGMENT TOR MKII-S 3.36T

DWG No.: G-500793 REVISION: 2 PROJECT: JYN-65 DC GENERAL

Due to manufacturing reasons dimensions may vary up to 50mm