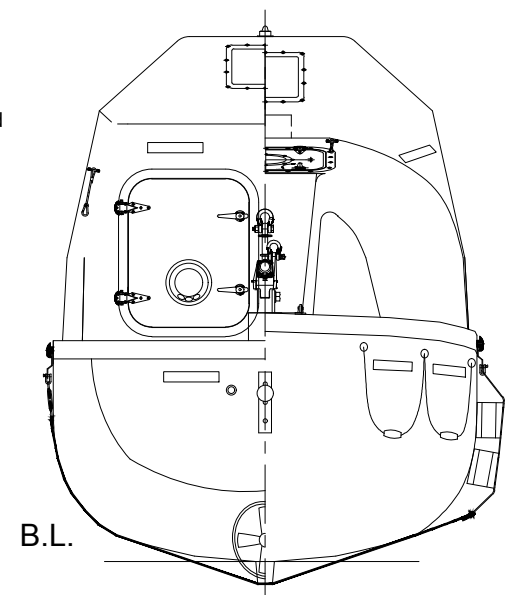
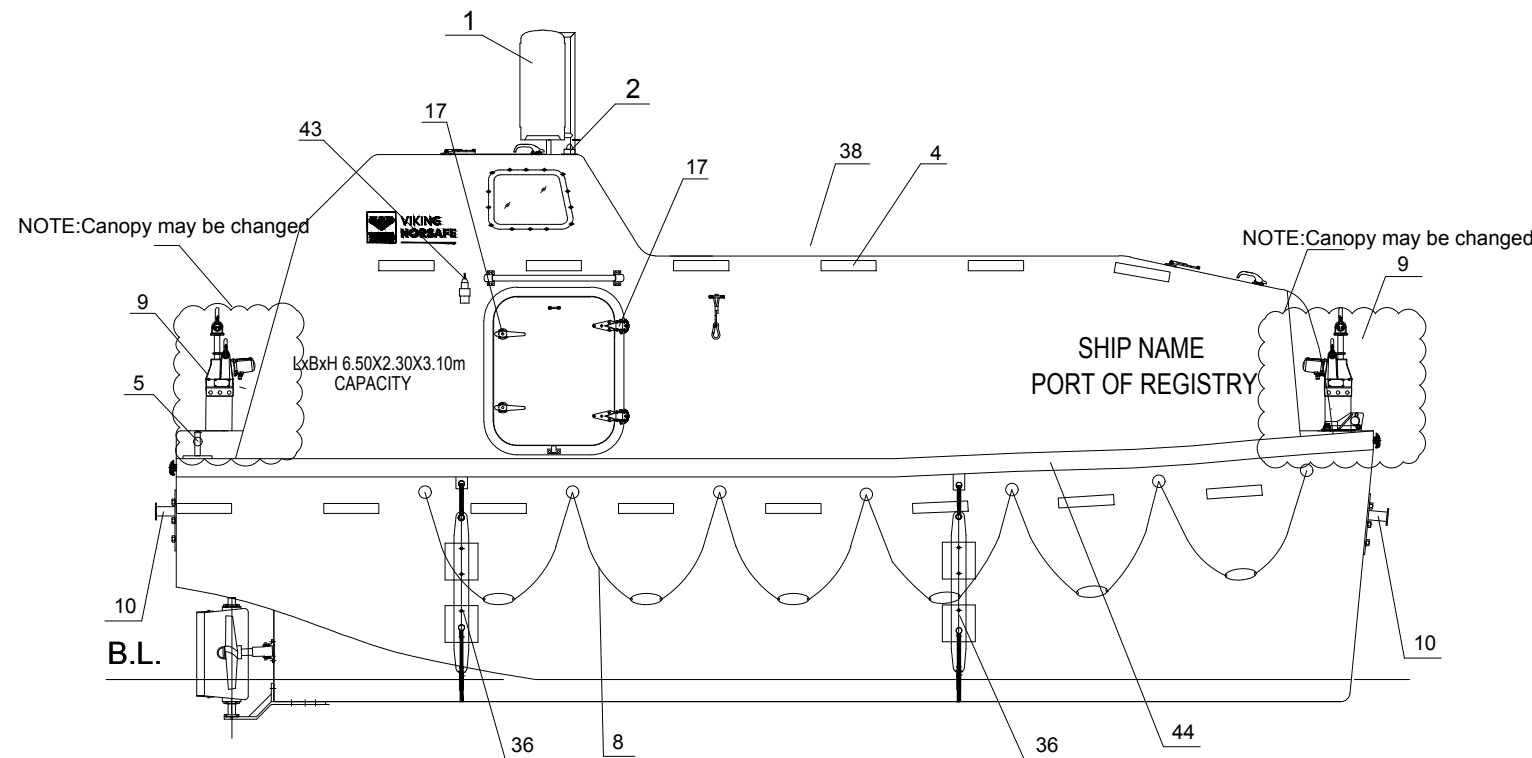
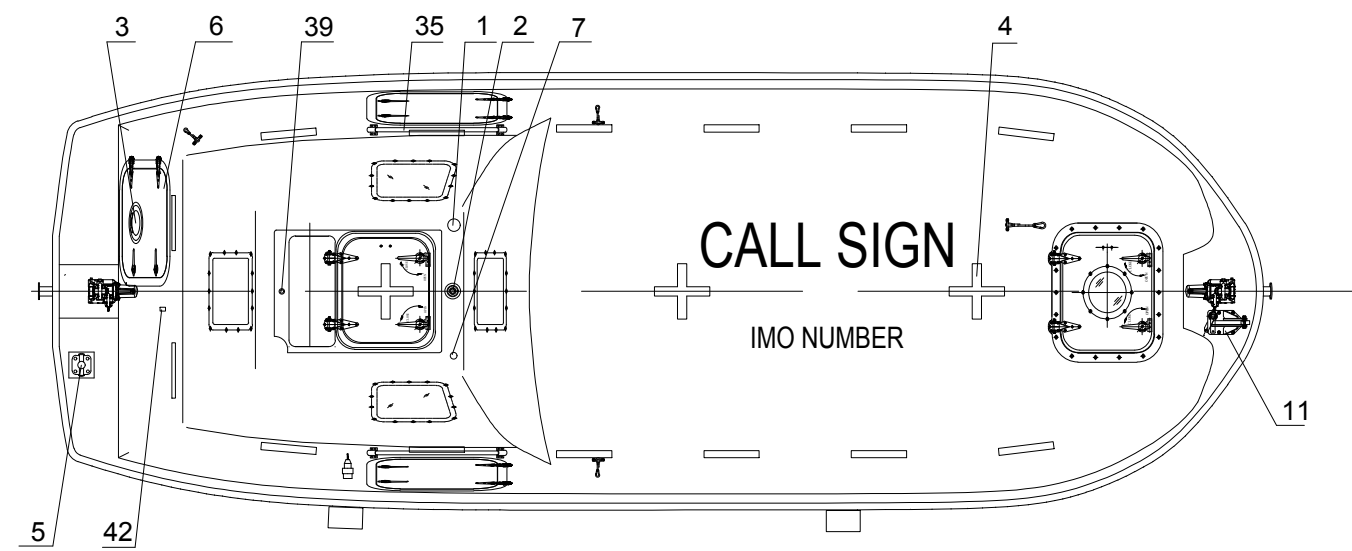


PRINCIPAL DIMENSIONS

LENGTH (MOULDED)	6.50m
BREADTH (MOULDED)	2.30m
HEIGHT	3.10m
DEPTH MOULDED	1.20m
HOOK DIST	6.10m
HOOK TYPE	NADIRO DIB 32
CAPACITY	35 PERSONS
WEIGHT OF BOAT WITH EQUIPMENT	3012Kg
WEIGHT OF BOAT WITH PERSONS	5900Kg (82,5kg/pers)
SPEED	>6Kn
ENGINE	380J-3



ELEVATION



45	ACCUMULATOR	1		
44	FENDER	1	PVC	
43	PLUG FOR BATTERY CHARGER	1	IP67	
42	VENT FOR BATTERIES	1	SS316 & PVC HOSE	
41	WATER SENSOR UNIT	1		
40	EMERGENCY RELEASE VALVE	1	AISI 316	
39	RAIN COLLECTION	1	BRASS	
38				
37	EMERGENCY STEERING HANDLE	1	HOT DIPPED GALVANIZED STEEL	
36	SKATE	2	RUBBER & ALUM. PLATE	
35	RAIL	2	SEA WATER RESISTANT ALUM.	
34	FOOD COMPARTMENT	1	F.R.P.	
33	OAR/BOAT HOOK	2	WOOD/PLASTIC	
32	WATER COMPARTMENT	3	F.R.P. WATER TIGHT	
31	STEERING GEAR	1		
30	ENGINE & PROPELLER SHAFT	1		
29	STEERING NOZZLE & PROPELLER	1	F.R.P. / NiMn-Bronze Cu3-Cu4	
28	BATTERIES	2	70AH	
27	AXE	2		
26	PILLAR			
25		1	90-80CBPJ	
24	DRAIN PLUG	1	BRASS	
23	MANUAL PUMP	1		
22	FIRE EXTINGUISHER	1		
21	FUEL TANK	1	SEA WATER RESISTANT ALUM.	
20				
19	SAFETY BELT	1/PERS		
18	EQUIPMENT COMPARTMENT	1		
17	DOOR LATCH	1 LOT	SS316 & PVC SHIELD WIRE ROPE	
16	BACK REST	1	PLYWOOD (18MM THK.x400MM H.)	
15	CONTROL PANEL	1		
14	SEARCH LIGHT	1		
13	INT. LIGHT	2		
12	HELMS CHAIR	1	F.R.P.	
11	PAINTER HOOK	1	HOT DIPPED GALVANIZED STEEL	
10	GRIPING BOBBIN	2	HOT DIPPED GALVANIZED STEEL	
9	HOOKS DEVICE ARRANGEMENT	2	NADIRO DIB 32	
8	LIFE LINE	2	PVC SHIELD WIRE ROPE	
7	REMOTE CONTROL LINE HOLE	1		
6	DOOR, WINDOW & HATCH	1 LOT		
5	BOLLARD	1	SS 316	
4	REFLECT LIGHT STRIP	1 LOT		
3	VENTILATOR	1		
2	POSITION LIGHT	1		
1	RADAR REFLECTOR	1		
NO.	REF.DWG.NO.	DESCRIPTION	QTY.	REMARKS

1	USE NEW TEMPLATE	KARL	PHLI	THWA	01.07.2019
0	ISSUED FOR CONSTRUCTION	KARL	PHLI	THWA	27.03.2019
REV	DESCRIPTION	BY	CHECK	APPRO	DATE

REVISION HISTORY



VIKING Norsafe Life-Saving Equipment Norway AS
 P.O Box 115 Tel: +47 37 05 85 00
 4852 Færvik Fax: +47 37 05 85 01
 NORWAY 24/7 Service: +47 37 05 63 33
 Email: viking@viking-life.com

This drawing is the sole property of VIKING Norsafe Life-Saving Equipment Norway AS. It must not be submitted to other parties nor used in any manner detrimental to our interests. It shall not be copied, reproduced, used for manufacturing or sale without the written consent of VIKING Norsafe Life-Saving Equipment Norway AS. All rights are reserved.

DWG SIZE: A3	SCALE: 1:40	COPY OF:	PROJECTION METHOD	EXTERNAL ARRANGMENT
CLIENT NO:				NADIRO DIB 32
TOLERANCES: ISO 2768-mk, ISO 13920-BF			REVISION: 1	JYN-65 DC
DWG No: G-503127			PROJECT:	GENERAL

Due to manufacturing reasons dimensions may vary up to 50mm

47	OPERATION PANEL	1	
46	HYDRAULIC PUMP OR TANK	1	