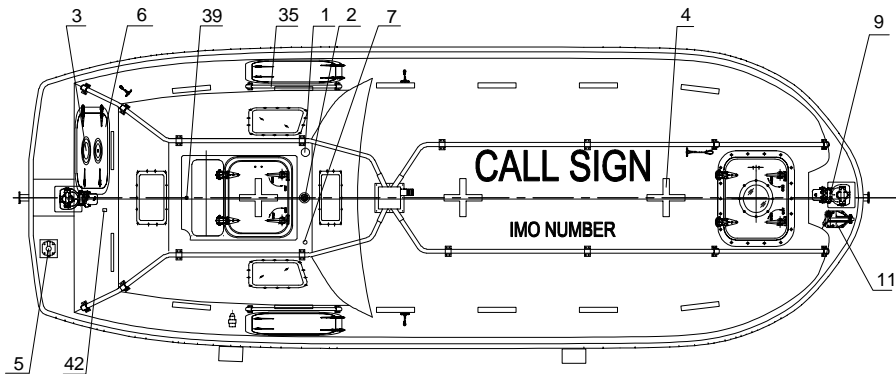
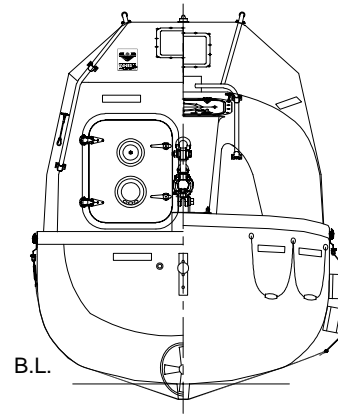


ELEVATION



Due to manufacturing reasons dimensions may vary up to 50mm



PRINCIPAL DIMENSIONS

LENGTH (MOULDED)	6.50m
BREADTH (MOULDED)	2.30m
HEIGHT	3.10m
DEPTH MOULDED	1.20m
HOOK DIST	6.10m
HOOK TYPE	DIB 32
CAPACITY	36 PERSONS
WEIGHT OF BOAT WITH EQUIPMENT	2930Kg
WEIGHT OF BOAT WITH PERSONS	5900Kg (82,5kg/pers)
SPEED	>6Kn
ENGINE	380J-3

NO.	REF.DWG.NO.	DESCRIPTION	QTY.	REMARKS
47		OPERATION PANEL	1	
46		HYDRAULIC PUMP OR TANK	1	
45		ACCUMULATOR	1	
44		FENDER	1	PVC
43		PLUG FOR BATTERY CHARGER	1	IP67
42		VENT FOR BATTERIES	1	SS316 & PVC HOSE
41		WATER SENSOR UNIT	1	
40		EMERGENCY RELEASE VALVE	1	
39		RAIN COLLECTION	1	BRASS
38		SPRINKLE OUTLET/ PIPING	1 LOT	SEA WATER RESISTANT ALUM.
37		EMERGENCY STEERING HANDLE	1	HOT DIPPED GALVANIZED STEEL
36		SKATE	2	RUBBER & ALUM. PLATE
35		RAIL	2	SEA WATER RESISTANT ALUM.
34		FOOD COMPARTMENT	1	F.R.P.
33		JAR/BOAT HOOK	2	WOOD/PLASTIC
32		WATER COMPARTMENT	3	F.R.P. WATER TIGHT
31		STEERING GEAR	1	
30		ENGINE & PROPELLER SHAFT	1	
29		STEERING NOZZLE & PROPELLER	1	F.R.P. / NiMn-Bronze Cu3-Cu4
28		BATTERIES	2	70Ah
27		AXE	2	
26		PILLAR	1	F.R.P.
25		SPRINKLE PUMP	1	90-90C/PJ
24		DRAIN PLUG	1	BRASS
23		MANUAL PUMP	1	
22		FIRE EXTINGUISHER	1	
21		FUEL TANK	1	SEA WATER RESISTANT ALUM.
20		AIR CYLINDER	3	
19		SAFETY BELT	1/PERS	
18		EQUIPMENT COMPARTMENT	1 LOT	
17		DOOR LATCH	1	SS316 & PVC SHIELD WIRE ROPE
16		BACK REST	1	PLYWOOD (18MM THK. x400MM H.)
15		CONTROL PANEL	1	
14		SEARCH LIGHT	1	
13		INT. LIGHT	2	
12		HELMS CHAIR	1	F.R.P.
11		PAINTER HOOK	1	HOT DIPPED GALVANIZED STEEL
10		GRIPPING BOSSIN	2	HOT DIPPED GALVANIZED STEEL
9		HOOKS DEVICE ARRANGEMENT	2	DIB 32
8		LIFE LINE	2	PVC SHIELD WIRE ROPE
7		REMOTE CONTROL LINE HOLE	1	
6		DOOR WINDOW & HATCH	1 LOT	
5		BOLLARD	1	SS 316
4		REFLECT LIGHT STRIP	1 LOT	
3		VENTILATOR	2	
2		POSITION LIGHT	1	
1		RADAR REFLECTOR	1	

REV	DESCRIPTION	BY	CHECK	APPRO	DATE
1	USE NEW TEMPLATE	KARL	PHLI	THWA	01.07.2019
0	ISSUED FOR CONSTRUCTION	KARL	PHLI	THWA	27.03.2019

REVISION HISTORY

VIKING NORSAFE

VIKING Norsafe Life-Saving Equipment Norway AS
 P.O. Box 115
 4852 Farnrk
 NORWAY
 Tel: +47 37 05 65 00
 Fax: +47 37 05 65 01
 24/7 Service: +47 37 05 63 33
 Email: viking@viking-tille.com

This drawing is the sole property of VIKING Norsafe Life-Saving Equipment Norway AS. It must not be submitted to other parties nor used in any manner detrimental to our interests. It shall not be copied, reproduced, used for manufacturing or sale without the written consent of VIKING Norsafe Life-Saving Equipment Norway AS. All rights are reserved.

DWG. NO. A3	SCALE 1:40	COPY OF:	PROJECTION METHOD	EXTERNAL ARRANGMENT
CLIENT NO.	TOLERANCES: ISO 2768-mk, ISO 13920-BF	REVISION: 1	PROJECT: 1	DIB 32
DWG. No. G-503125				JYN-65 T
				GENERAL