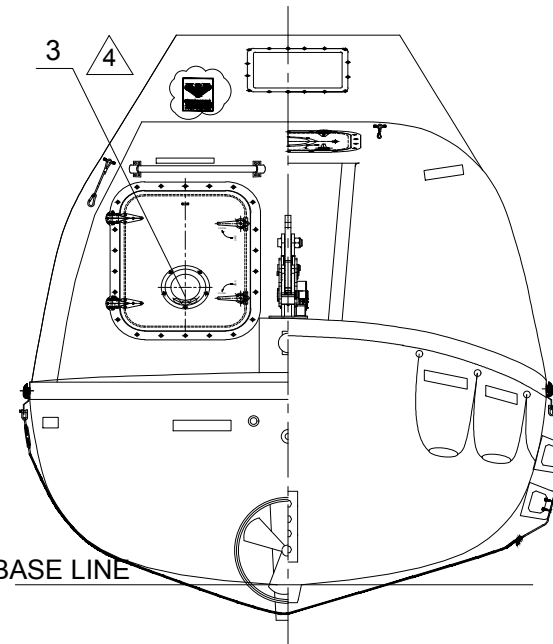
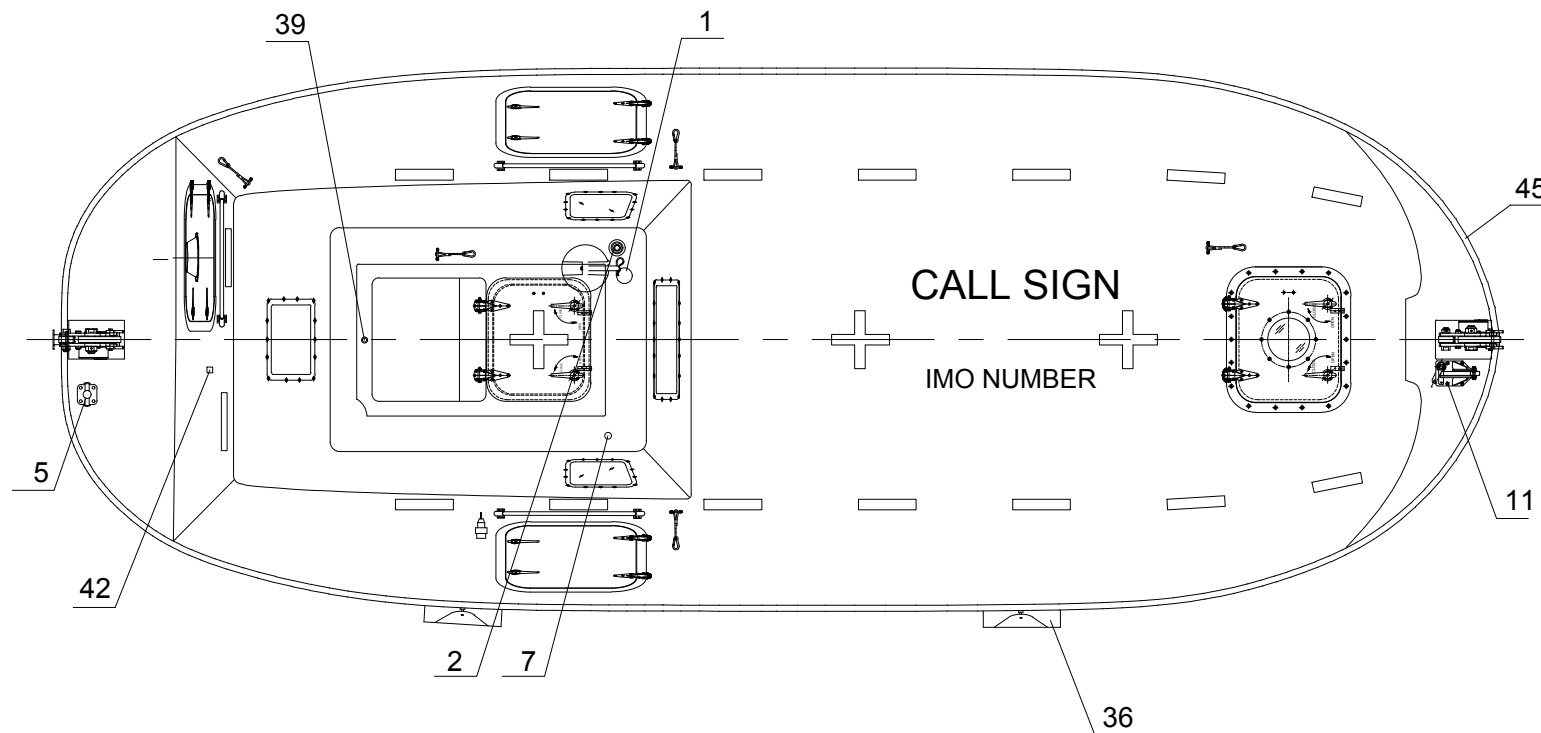


ELEVATION



REAR/FRONT VIEW



PLAN (BOAT SHOWS PORT SIDE BOAT)

MAIN PARTICULARS

LENGTH (MOULDED)	7.35M / 7.52M (Including fender)
BREADTH (MOULDED)	2.68M / 2.82M (Including fender)
DEPTH	1.05M
HEIGHT (TOTAL)	3.00M
HOOK DIST	7.00M
NO. OF PERSON	52P
CRAFT WEIGHT	3410KG
SPEED	>6 KNOTS
TOTAL WEIGHT	7700KG (82.5kg/pers)
ENGINE	NLDE-3
	BUKH DV 24 RME
	BUKH DV 29 RME

NO.	REF.DWG.NO.	DESCRIPTION	QTY.	REMARKS
45		FENDER	4	RUBBER
44		BRACKET FOR RELEASE BOX	1	AISI 316L
43		PLUG FOR BATTERY CHARGING	1	IP67
42		VENT FOR BATTERIES	1	SS 316 & PVC HOSE
41		HYDROSTATIC UNIT	1	
40		RELEASE BOX	1	AISI 316
39		RAIN COLLECTION	1	BRASS
38				
37		EMERGENCY STEERING HANDLE	1	HOT DIPPED GALVANIZED STEEL
36		SKATE	2	RUBBER & ALUM. PLATE
35		RAIL	3	SEA WATER RESISTANT ALUM.
34		FOOD COMPARTMENT	1	
33		OAR/CRUTCH	2	WOOD
32		WATER COMPARTMENT	2	F.R.P. WATER TIGHT
31		STEERING GEAR	1	
30		ENGINE & PROPELLER SHAFT	1	
29		STEERING NOZZLE & PROPELLER	1	F.R.P. / NiMn-Bronze Cu3-Cu4
28		BATTERIES	2	70AH
27		AXE	2	
26		PILLAR	2	F.R.P.
25				
24		DRAIN PLUG	1	BRASS
23		MANUAL PUMP	1	
22		FIRE EXTINGUISHER	1	
21		FUEL TANK	1	SEA WATER RESISTANT ALUM.
20				
19		SAFETY BELT	1/PERS	
18		EQUIPMENT COMPARTMENT	1	
17		DOOR LATCH	1 LOT	SS316 & PVC SHIELD WIRE ROPE
16		BACK REST	1 LOT	PLYWOOD (18MM THK.x400MM H.)
15		CONTROL PANEL	1	
14		SEARCH LIGHT	1	
13		INT. LIGHT	2	
12		HELMS CHAIR	1	F.R.P.
11		PAINTER HOOK	1	GALV. STEEL
10		GRIPING BOBBIN	2	HOT DIPPED GALVANIZED STEEL
9		HOOKS DEVICE ARRANGEMENT	2	TOR MK2-S.6T
8		LIFE LINE	2	PVC SHIELD WIRE ROPE
7		REMOTE CONTROL LINE HOLE	1	
6		DOOR	1 LOT	
5		BOLLARD	1	SS 316
4		REFLECT LIGHT STRIP	1 LOT	
3		VENTILATOR	1	
2		POSITION LIGHT	1	
1		RADAR REFLECTOR	1	

NO.	REF.DWG.NO.	DESCRIPTION	QTY.	REMARKS		
4		USE NEW TEMPLATE	KARL	PHLI THWA 12.06.2019		
3		ADDED RAIL FOR AFT DOOR	SATA	VX THWA 23.03.2016		
2		UPDATED ENGINE TYPES	SATA	VX THWA 01.12.2015		
1		SPECIFIED THE ENGINE TYPE	SATA	VX THWA 24.07.2015		
0		ISSUED FOR CONSTRUCTION	SATA	VX THWA 07.09.2015		
REV		DESCRIPTION	BY	CHECK	APPRO	DATE

REVISION HISTORY

VIKING NORSAFE

VIKING NORSAFE Life-Saving Equipment Norway AS
 P.O Box 115
 4852 Fjærvik
 NORWAY

Tel: +47 37 05 85 00
 Fax: +47 37 05 85 01
 24/7 Service: +47 37 05 63 33
 Email: viking@viking-life.com

This drawing is the sole property of VIKING NORSAFE Life-Saving Equipment Norway AS. It must not be submitted to other parties nor used in any manner detrimental to our interests. It shall not be copied, reproduced, used for manufacturing or sale without the written consent of VIKING NORSAFE Life-Saving Equipment Norway AS. All rights are reserved.

DWG SIZE: A3 SCALE: 1:30 COPY OF:

CLIENT NO:

TOLERANCES: ISO 2768-mk, ISO 13920-BF

DWG No: G-500911

PROJECTION METHOD:

REVISION: 4

PROJECT: STANDARD

EXTERNAL ARRANGEMENT
 TOR MKII-S 6T
 JYN-74DC
 GENERAL

Due to manufacturing reasons dimensions may vary up to 50mm