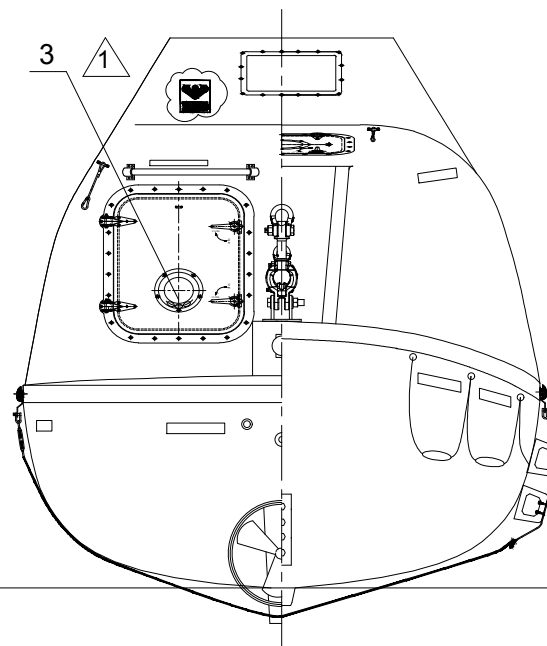
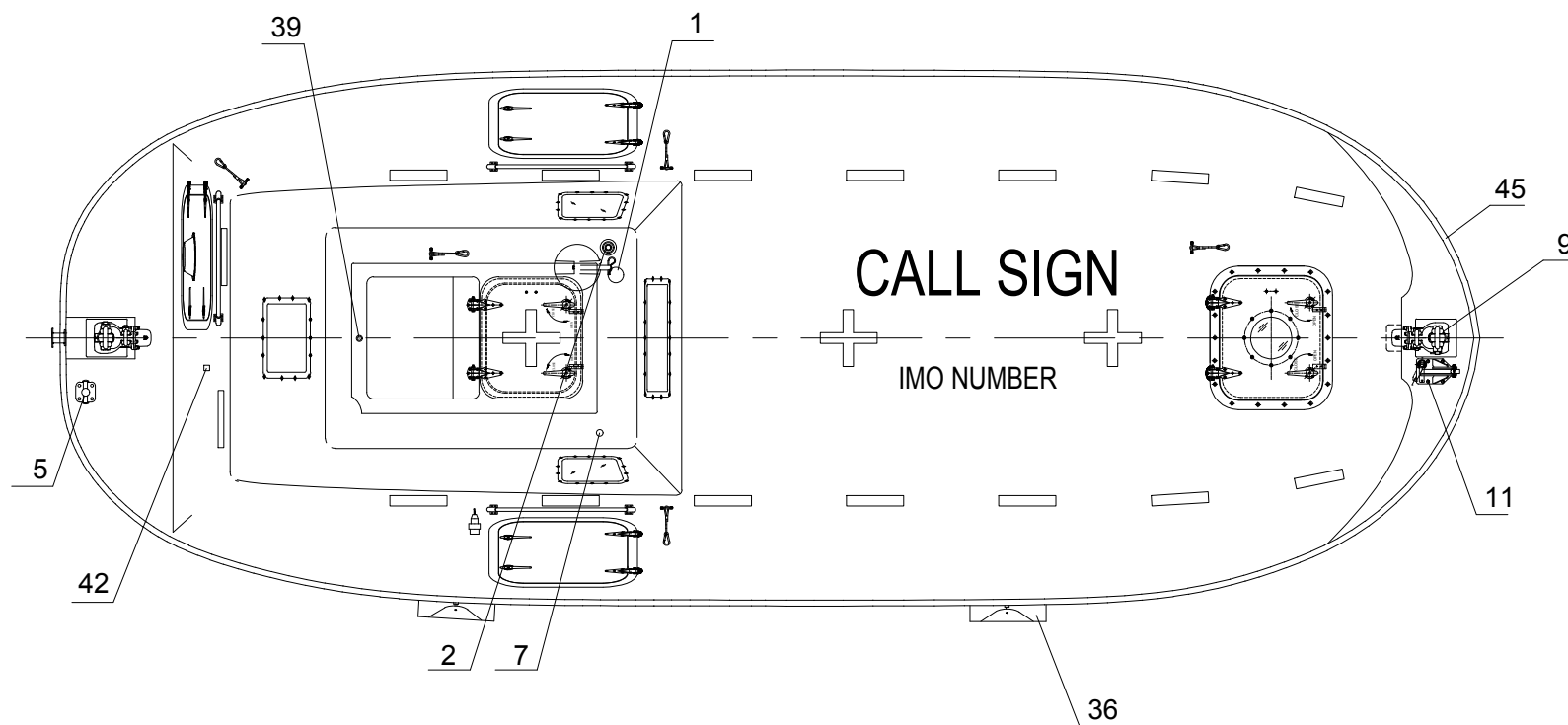


ELEVATION



REAR/FRONT VIEW



PLAN (BOAT SHOWS PORT SIDE BOAT)

MAIN PARTICULARS

LENGTH (MOULDED)	7.35M / 7.52M (Including fender)
BREADTH (MOULDED)	2.68M / 2.82M (Including fender)
DEPTH	1.05M
HEIGHT (TOTAL)	3.00M
HOOK DIST	7.00M
NO. OF PERSON	51P
CRAFT WEIGHT	3410KG
SPEED	>6 KNOTS
TOTAL WEIGHT	7617.5KG (82.5kg/pers)
ENGINE	NLDE-3
	BUKH DV 24 RME
	BUKH DV 29 RME

48	HYDRAULIC PUMP OR TANK	1	
47	ACCUMULATOR	1	
46	PILOT CONTROLLED VALVE	1	
45	FENDER	4	RUBBER
44	OPERATION PANEL	1	
43	PLUG FOR BATTERY CHARGING	1	IP67
42	VENT FOR BATTERIES	1	SS 316 & PVC HOSE
41	WATER SENSOR UNIT	1	
40	EMERGENCY RELEASE VALVE	1	
39	RAIN COLLECTION	1	BRASS
38			
37	EMERGENCY STEERING HANDLE	1	HOT DIPPED GALVANIZED STEEL
36	SKATE	2	RUBBER & ALUM. PLATE
35	RAIL	3	AISI 316
34	FOOD COMPARTMENT	1	
33	OAR/CRUTCH	2	
32	WATER COMPARTMENT	3	F.R.P. WATER TIGHT
31	STEERING GEAR	1	
30	ENGINE & PROPELLER SHAFT	1	
29	STEERING NOZZLE & PROPELLER	1	F.R.P./NiMn-Bronze Cu3-Cu4
28	BATTERIES	2	70AH
27	AXE	2	
26	PILLAR	1	F.R.P.
25			
24	DRAIN PLUG	1	BRASS
23	MANUAL PUMP	1	
22	FIRE EXTINGUISHER	1	
21	FUEL TANK	1	SEA WATER RESISTANT ALUM.
20			
19	SAFETY BELT	1/PERS	
18	EQUIPMENT COMPARTMENT	1	
17	DOOR LATCH	1 LOT	SS316 & PVC SHIELD WIRE ROPE
16	BACK REST	1 LOT	PLYWOOD (18MM THK.x400MM H.)
15	CONTROL PANEL	1	
14	SEARCH LIGHT	1	
13	INT. LIGHT	2	
12	HELMS CHAIR	1	F.R.P.
11	PAINTER HOOK	1	SS2377
10	GRIPING BOBBIN	2	HOT DIPPED GALVANIZED STEEL
9	HOOKS DEVICE ARRANGEMENT	2	NADIRO DIB 75
8	LIFE LINE	2	PVC SHIELD WIRE ROPE
7	REMOTE CONTROL LINE HOLE	1	
6	DOOR	1 LOT	
5	BOLLARD	1	SS 316
4	REFLECT LIGHT STRIP	1 LOT	
3	VENTILATOR	1	
2	POSITION LIGHT	1	
1	RADAR REFLECTOR	1	

NO.	REF.DWG.NO.	DESCRIPTION	QTY.	REMARKS	
1		USE NEW TEMPLATE		KARL PHLI THWA 12.06.2019	
0		ISSUED FOR CONSTRUCTION		KARL PHLI THWA 11.06.2018	
REV	DESCRIPTION	BY	CHECK	APPRO	DATE

REVISION HISTORY

	VIKING NORSAFE P.O Box 115 4852 Færøvik NORWAY Tel: +47 37 05 85 00 Fax: +47 37 05 85 01 24/7 Service: +47 37 05 63 33 Email: viking@viking-life.com	VIKING Norsafe Life-Saving Equipment Norway AS This drawing is the sole property of VIKING Norsafe Life-Saving Equipment Norway AS. It must not be submitted to other parties nor used in any manner detrimental to our interests. It shall not be copied, reproduced, used for manufacturing or sale without the written consent of VIKING Norsafe Life-Saving Equipment Norway AS. All rights are reserved.
	DWG SIZE: A3 SCALE: 1:30 COPY OF: CLIENT NO: TOLERANCES: ISO 2768-mk, ISO 13920-BF DWG No: G-502651	PROJECTION METHOD: REVISION: 1 PROJECT: STANDARD

Due to manufacturing reasons dimensions may vary up to 50mm