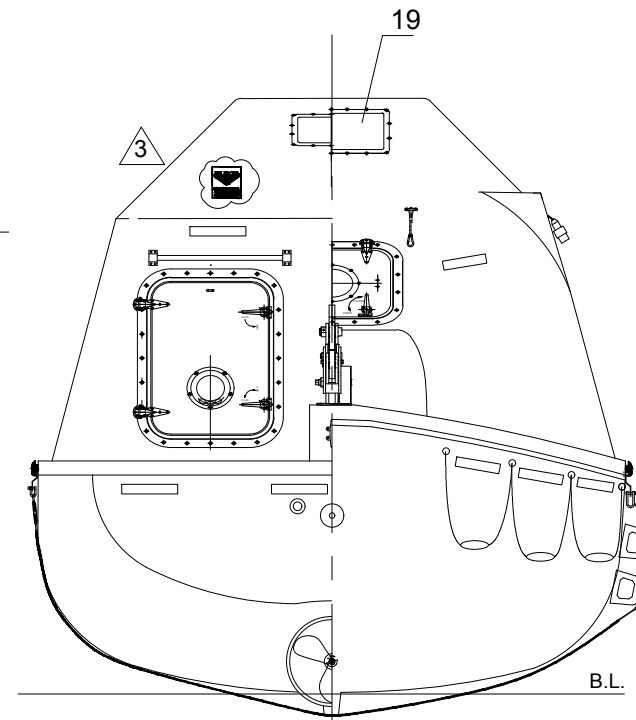
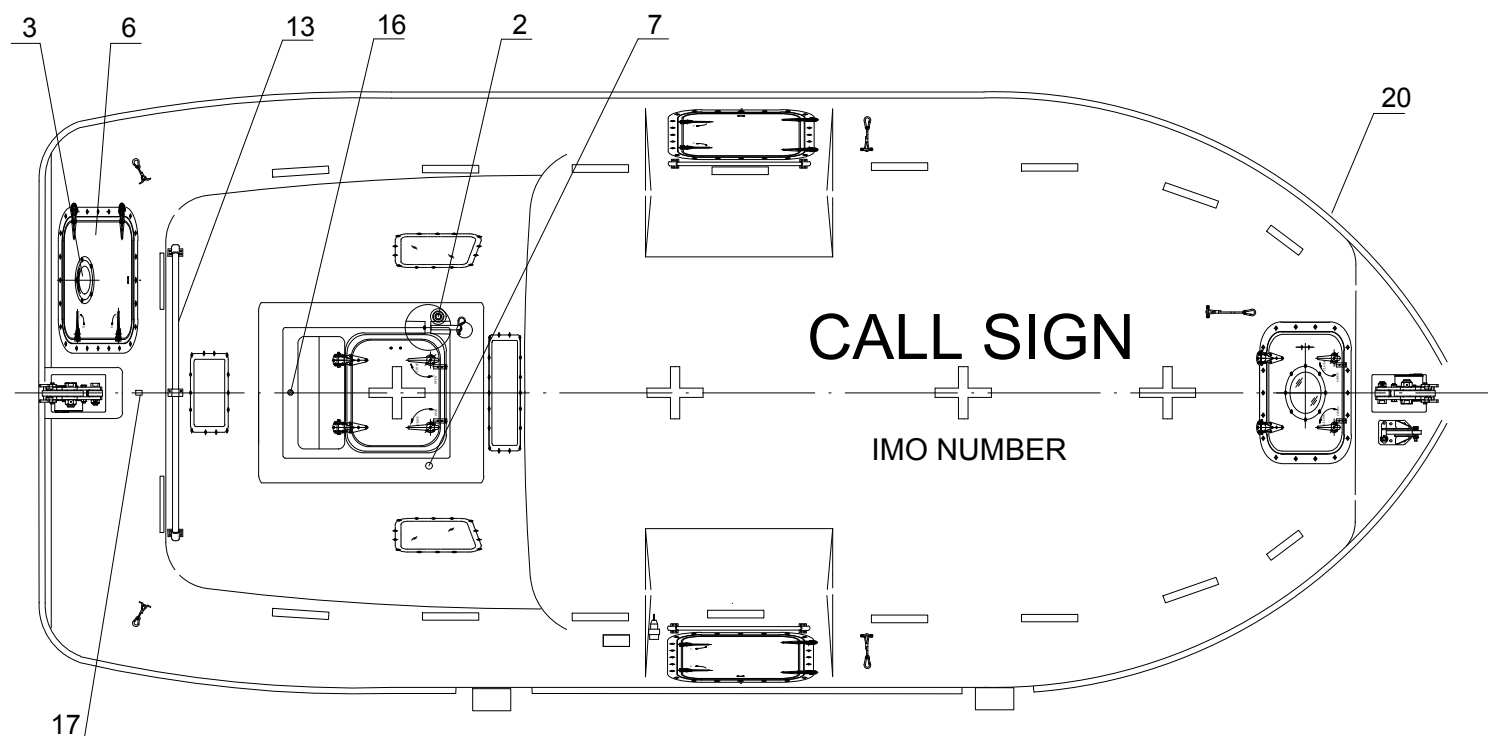


PROFILE



REAR/FRONT VIEW



MAIN PARTICULARS

- LENGTH (MOULDED) 7.50M
- BREADTH (MOULDED) 3.15M
- DEPTH 1.25M
- TOTAL HEIGHT 3.30M
- HOOK DIST 7.00M
- HOOK TYPE TOR MK2-S 6.0T
- NO. OF PERSON 68P
- CRAFT WEIGHT 4190KG
- SPEED >6 KNOTS
- TOTAL WEIGHT 9800KG (82.5Kg/pers)
- ENGINE NLDE-3

NO.	REF.DWG.NO.	DESCRIPTION	QTY.	REMARKS
49		BRACKET FOR RELEASE CONTROL BOX	1	AISI 316L
48		EQUIPMENT SHELF	2	F.R.P.
47		HYDROSTATIC UNIT	1	
46		RELEASE CONTROL BOX	1	AISI 316
45		EMERGENCY STEERING HANDLE	1	HOT DIPPED GALVANIZED STEEL
44		FOOD COMPARTMENT	1	F.R.P.
43		OAR/BOAT HOOK	2	
42		WATER COMPARTMENT	1	F.R.P. WATER TIGHT
41		STEERING GEAR	1	
40		ENGINE & PROPELLER SHAFT	1	
39		STEERING NOZZLE & PROPELLER	1	F.R.P. / NiMn-Bronze Cu3-Cu4
38		BATTERIES	3	
37		AXE	2	
36		PILLAR	1	F.R.P.
35				
34		DRAIN PLUG	1	BRASS
33		MANUAL PUMP	1	
32		FIRE EXTINGUISHER	1	
31		FUEL TANK	1	SEA WATER RESISTANT ALUM.
30				
29		SAFETY BELT	1/PERS	
28		EQUIPMENT COMPARTMENT	1	
27		BACK REST	1	PLYWOOD (18MM THK x400MM H.)
26		CONTROL PANEL	1	
25		SEARCH LIGHT	1	
24		INT. LIGHT	2	
23		HELMS CHAIR	1	F.R.P.
22		SKATE	2	SEA WATER RESISTANT ALUM.
21		NAMEPLATE	1	AISI 316L
20		FENDER	1	RUBBER
19		WINDOWS	4	
18		PLUG FOR BATTERY CHARGER	1	IP67
17		VENT FOR BATTERIES	1	AISI 316 & PVC HOSE
16		RAIN COLLECTION	1	BRASS
15				
14		FENDER	1	
13		RAIL	3	AISI 316
12		DOOR LATCH	1 LOT	AISI 316 & PVC SHIELD WIRE ROPE
11		PAINTER HOOK	1	HOT DIPPED GALVANIZED STEEL
10		GRIPING BOBBIN	2	HOT DIPPED GALVANIZED STEEL
9		HOOKS DEVICE ARRANGEMENT	2	TOR MK2-S 6T
8		LIFE LINE	2	PVC SHIELD WIRE ROPE
7		REMOTE CONTROL LINE HOLE	1	
6		DOOR, WINDOW & HATCH	1 LOT	
5		BOLLARD	1	AISI 316
4		REFLECT LIGHT STRIP	1 LOT	
3		VENTILATOR	2	
2		POSITION LIGHT	1	
1		RADAR REFLECTOR	1	

NO.	REF.DWG.NO.	DESCRIPTION	BY	CHECK	APPRO	DATE
3		Use new template	KARL	PHLI	THWA	13.06.2019
2		Change person to 68	PAPA	THWA	TT	20.02.2017
1		Updated the hatch arrangement on canopy	SATA	VX	THWA	19.12.2016
0		Issued for construction	SHXI	TMA	THWA	22.09.2015

REVISION HISTORY

**VIKING NORSAFE**  
 VIKING Norsafe Life-Saving Equipment Norway AS  
 P.O. Box 115, 4852 Fjærvik, NORWAY  
 Tel: +47 37 05 85 00, Fax: +47 37 05 85 01, 24/7 Service: +47 37 05 63 33, Email: viking@viking-life.com

DWG SIZE: A3 SCALE: 1:20 COPY OF: PROJECT METHOD: EXTERNAL ARRANGEMENT  
 CLIENT NO.: PROJECTION METHOD: TOR MKII-S 6T  
 TOLERANCES: ISO 2768-mk, ISO 13920-BF REVISION: 3 JYN-75DC  
 DWG No.: G-500903 PROJECT: STANDARD GENERAL  
 PART NO.: WEIGHT: SHEET: 1/1

Port lifeboat illustrated.  
 Starboard lifeboat is mirrored.  
 Due to manufacturing reasons  
 dimensions may vary up to 50mm.