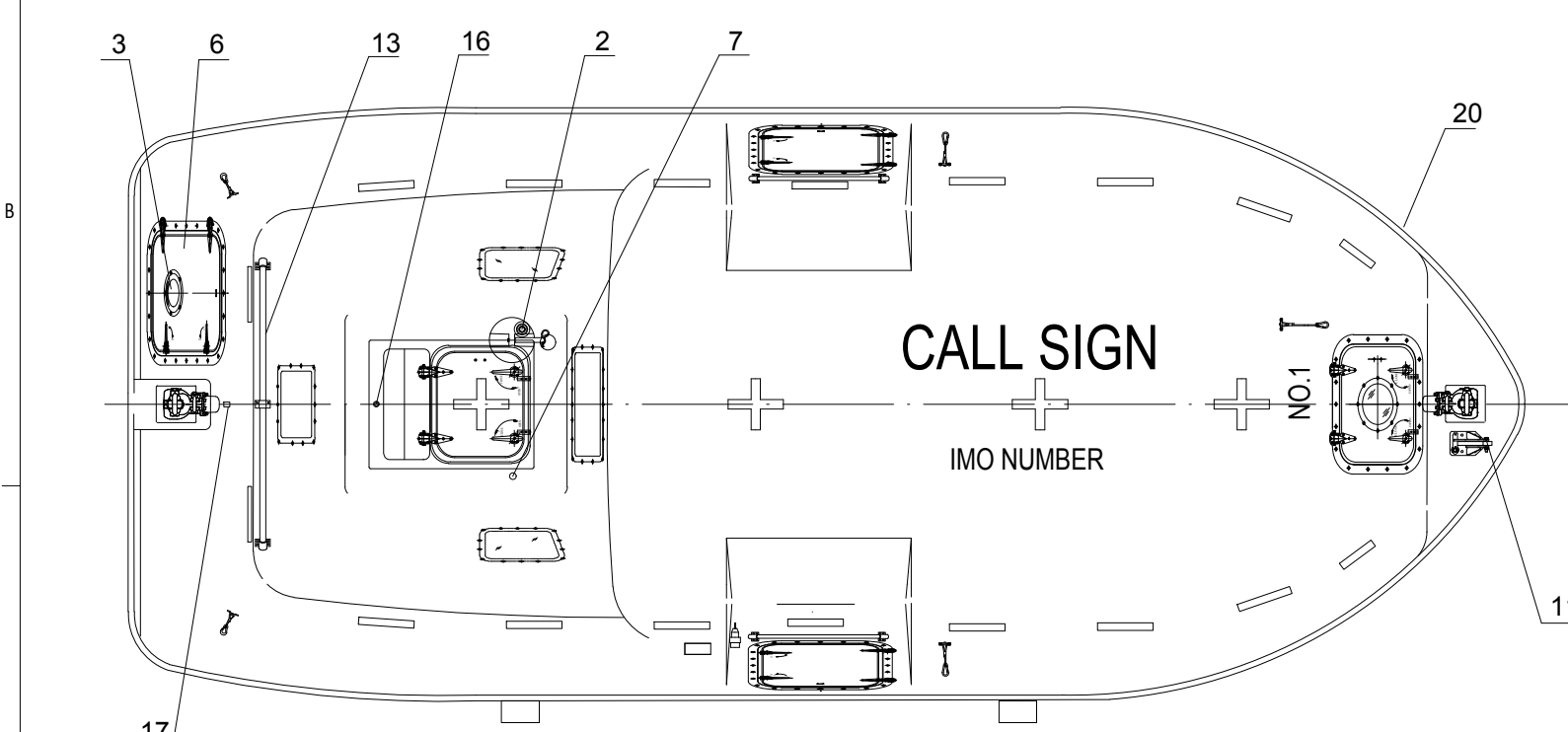


REAR/FRONT VIEW



MAIN PARTICULARS
 LENGTH (MOULDED) 7.50M
 BREADTH (MOULDED) 3.15M
 DEPTH 1.25M
 TOTAL HEIGHT 3.30M
 HOOK DIST 7.00M
 HOOK TYPE Nadiro DIB 75
 NO. OF PERSON 67P
 CRAFT WEIGHT 4715.5KG
 SPEED >6 KNOTS
 TOTAL WEIGHT 9703KG (82.5Kg/pers)
 ENGINE NLDE-3

REPLACES	REPLACED BY
THIS PART IS USED IN THE FOLOWING BOATS	
JYN75DC	

52	HYDRAULIC PUMP OR TANK	1		
51	ACCUMULATOR	1		
50	PILOT CONTROLLED VALVE	1		
49	EMERGENCY RELEASE VALVE	1	AISI 316L	
48	EQUIPMENT SHELF	2	F.R.P.	
47	WATER SENSOR UNIT	1		
46	OPERATION PANEL	1		
45	EMERGENCY STEERING HANDLE	1		
44	FOOD COMPARTMENT	1	F.R.P.	
43	OAR/BOAT HOOK	2		
42	WATER COMPARTMENT	1	F.R.P. WATER TIGHT	
41	STEERING GEAR	1		
40	ENGINE & PROPELLER SHAFT	1		
39	STEERING NOZZLE & PROPELLER	1	F.R.P. / NIMn-Bronze Cu3-Cu4	
38	BATTERIES	3		
37	AXE	2		
36	PILLAR	1	F.R.P.	
35		1		
34	DRAIN PLUG	1	BRASS	
33	MANUAL PUMP	1		
32	FIRE EXTINGUISHER	1		
31	FUEL TANK	1	SEA WATER RESISTANT ALUM.	
30				
29	SAFETY BELT	1/PERS		
28	EQUIPMENT COMPARTMENT	1		
27	BACK REST	1	PLYWOOD (18MM THK.x400MM H.)	
26	CONTROL PANEL	1		
25	SEARCH LIGHT	1		
24	INT. LIGHT	2		
23	HELMS CHAIR	1	F.R.P.	
22	SKATE	2	SEA WATER RESISTANT ALUM.	
21	NAMEPLATE	1	AISI 316L	
20	FENDER	1	RUBBER	
19	WINDOWS	4		
18	PLUG FOR BATTERY CHARGER	1	IP67	
17	VENT FOR BATTERIES	1	AISI 316 & PVC HOSE	
16	RAIN COLLECTION	1	BRASS	
15				
14	FENDER	1	PVC	
13	RAIL	3	AISI 316	
12	DOOR LATCH	1 LOT	AISI 316 & PVC SHIELD WIRE ROPE	
11	PAINTER HOOK	1	HOT DIPPED GALVANIZED STEEL	
10	GRIPING BOBBIN	2	HOT DIPPED GALVANIZED STEEL	
9	HOOKS DEVICE ARRANGEMENT	2	Nadiro DIB 75	
8	LIFE LINE	2	PVC SHIELD WIRE ROPE	
7	REMOTE CONTROL LINE HOLE	1		
6	DOOR, WINDOW & HATCH	1 LOT		
5	BOLLARD	1	AISI 316	
4	REFLECT LIGHT STRIP	1 LOT		
3	VENTILATOR	2		
2	POSITION LIGHT	1		
1	RADAR REFLECTOR	1		
NO.	REF.DWG.NO.	DESCRIPTION	QTY.	REMARKS

1	Use new logo and template	KARL	PHLI	THWA	07.11.2019
0	Issued for construction	KARL	PHLI	THWA	02.04.2019
REV	DESCRIPTION	BY	CHECK	APPRO	DATE

NORSAFE REVISION HISTORY

VIKING NORSAFE
 VIKING Norsafe Life-Saving Equipment Norway AS
 P.O Box 115 Tel: +47 37 05 85 00
 4852 Færvik Fax: +47 37 05 85 01
 NORWAY 24/7 Service: +47 37 05 63 33
 Email: viking@viking-life.com

This drawing is the sole property of VIKING Norsafe Life-Saving Equipment Norway AS. It must not be submitted to other parties nor used in any manner detrimental to our interests. It shall not be copied, reproduced, used for manufacturing or sale without the written consent of VIKING Norsafe Life-Saving Equipment Norway AS. All rights are reserved.

DWG SIZE: A3 SCALE: COPY OF: PART NO. WEIGHT: SHEET: 1/1

CLIENT NO. PROJECTION METHOD EXTERNAL ARRANGEMENT

TOLERANCES: ISO 2768-mk, ISO 13920-BF REVISION: 1 NADIRO DIB 75

DWG No: G-503137 PROJECT: STANDARD JYN-75DC

GENERAL

Port lifeboat illustrated.
 Starboard lifeboat is mirrored.
 Due to manufacturing reasons
 dimensions may vary up to 50mm.