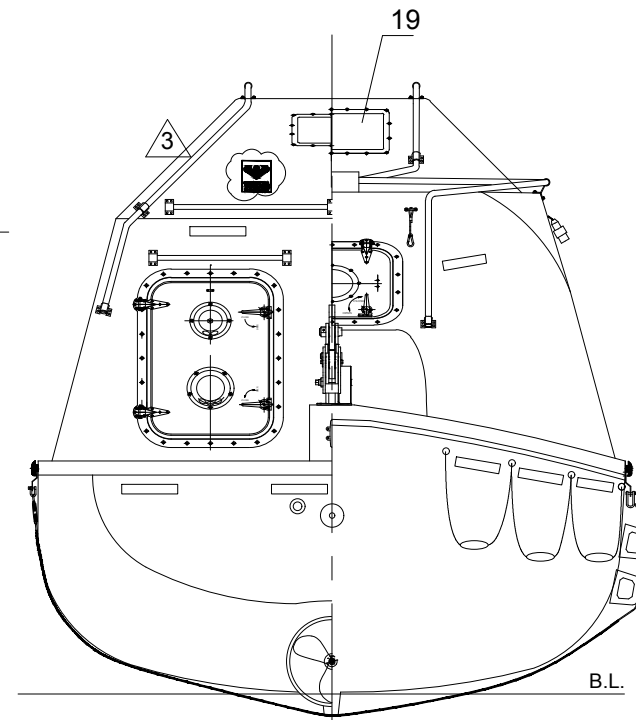
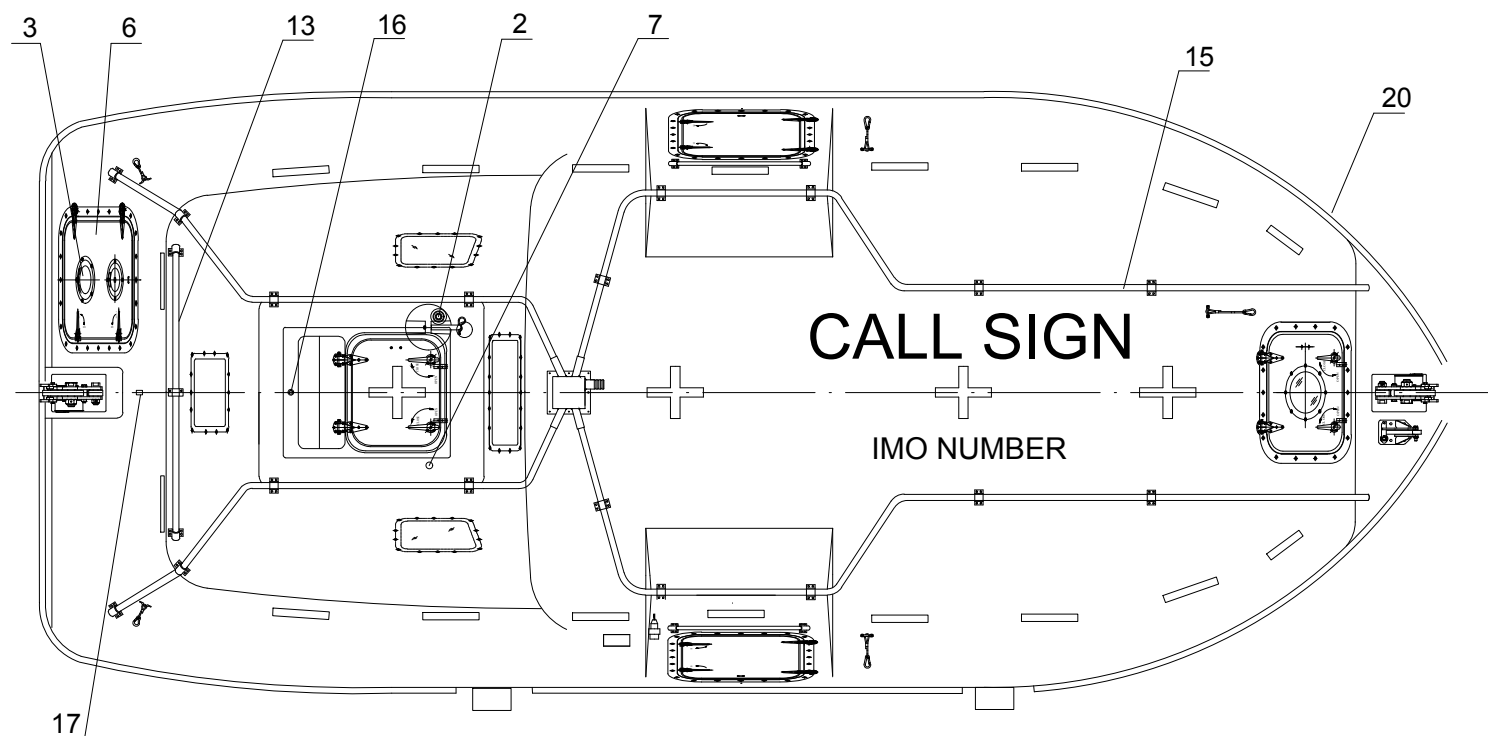


PROFILE



REAR/FRONT VIEW



MAIN PARTICULARS

- LENGTH (MOULDED) 7.50M
- BREADTH (MOULDED) 3.15M
- DEPTH 1.25M
- TOTAL HEIGHT 3.30M
- HOOK DIST 7.00M
- HOOK TYPE TOR MK2-S 6.0T
- NO. OF PERSON 68P
- CRAFT WEIGHT 4190KG
- SPEED >6 KNOTS
- TOTAL WEIGHT 9800KG (82.5Kg/pers)
- ENGINE NLDE-3

NO.	REF.DWG.NO.	DESCRIPTION	QTY.	REMARKS
49		BRACKET FOR RELEASE CONTROL BOX	1	AISI 316L
48		EQUIPMENT SHELF	2	F.R.P.
47		HYDROSTATIC UNIT	1	
46		RELEASE CONTROL BOX	1	AISI 316
45		EMERGENCY STEERING HANDLE	1	HOT DIPPED GALVANIZED STEEL
44		FOOD COMPARTMENT	1	F.R.P.
43		OAR/BOAT HOOK	2	
42		WATER COMPARTMENT	1	F.R.P. WATER TIGHT
41		STEERING GEAR	1	
40		ENGINE & PROPELLER SHAFT	1	
39		STEERING NOZZLE & PROPELLER	1	F.R.P. / NiMn-Bronze Cu3-Cu4
38		BATTERIES	3	
37		AXE	2	
36		PILLAR	1	F.R.P.
35		SPRINKLER PUMP	1	90-80CBPJ
34		DRAIN PLUG	1	BRASS
33		MANUAL PUMP	1	
32		FIRE EXTINGUISHER	1	
31		FUEL TANK	1	SEA WATER RESISTANT ALUM.
30		AIR CYLINDER	3	
29		SAFETY BELT	1/PERS	
28		EQUIPMENT COMPARTMENT	1	
27		BACK REST	1	PLYWOOD (18MM THK.x400MM H.)
26		CONTROL PANEL	1	
25		SEARCH LIGHT	1	
24		INT. LIGHT	2	
23		HELMS CHAIR	1	F.R.P.
22		SKATE	2	SEA WATER RESISTANT ALUM.
21		NAMEPLATE	1	AISI 316L
20		FENDER	1	RUBBER
19		WINDOWS	4	
18		PLUG FOR BATTERY CHARGER	1	IP67
17		VENT FOR BATTERIES	1	AISI 316 & PVC HOSE
16		RAIN COLLECTION	1	BRASS
15		SPRINKLE OUTLET/ PIPING	1 LOT	SEA WATER RESISTANT ALUM.
14		FENDER	1	
13		RAIL	3	AISI 316
12		DOOR LATCH	1 LOT	AISI 316 & PVC SHIELD WIRE ROPE
11		PAINTER HOOK	1	HOT DIPPED GALVANIZED STEEL
10		GRIPING BOBBIN	2	HOT DIPPED GALVANIZED STEEL
9		HOOKS DEVICE ARRANGEMENT	2	TOR MK2-S 6T
8		LIFE LINE	2	PVC SHIELD WIRE ROPE
7		REMOTE CONTROL LINE HOLE	1	
6		DOOR, WINDOW & HATCH	1 LOT	
5		BOLLARD	1	AISI 316
4		REFLECT LIGHT STRIP	1 LOT	
3		VENTILATOR	2	
2		POSITION LIGHT	1	
1		RADAR REFLECTOR	1	

NO.	DESCRIPTION	BY	CHECK	APPRO	DATE
3	Use new template	KARL	PHLI	THWA	13.06.2019
2	Change person to 68	PAPA	THWA	TT	20.02.2017
1	Updated the hatch arrangement on canopy	SATA	VX	THWA	19.12.2016
0	Issued for construction	SHXI	TMA	THWA	22.09.2015

VIKING NORSAFE

P.O. Box 115
4852 Færevik
NORWAY

Tel: +47 37 05 85 00
Fax: +47 37 05 85 01
24/7 Service: +47 37 05 63 33
Email: viking@viking-life.com

REVISION HISTORY

This drawing is the sole property of VIKING Norsafe Life-Saving Equipment Norway AS. It must not be submitted to other parties nor used in any manner detrimental to our interests. It shall not be copied, reproduced, used for manufacturing or sale without the written consent of VIKING Norsafe Life-Saving Equipment Norway AS. All rights are reserved.

PART NO. _____ WEIGHT: _____ SHEET 1 / 1

DWG SIZE: A3 SCALE: 1:20 COPY OF: _____

CLIENT NO: _____ PROJECT METHOD:

TOLERANCES: ISO 2768-mk, ISO 13920-BF REVISION: 3

DWG No: G-500901 PROJECT: STANDARD

EXTERNAL ARRANGEMENT
TOR MKII-S 6T
JYN-75T
GENERAL

Port lifeboat illustrated.
Starboard lifeboat is mirrored.
Due to manufacturing reasons
dimensions may vary up to 50mm.