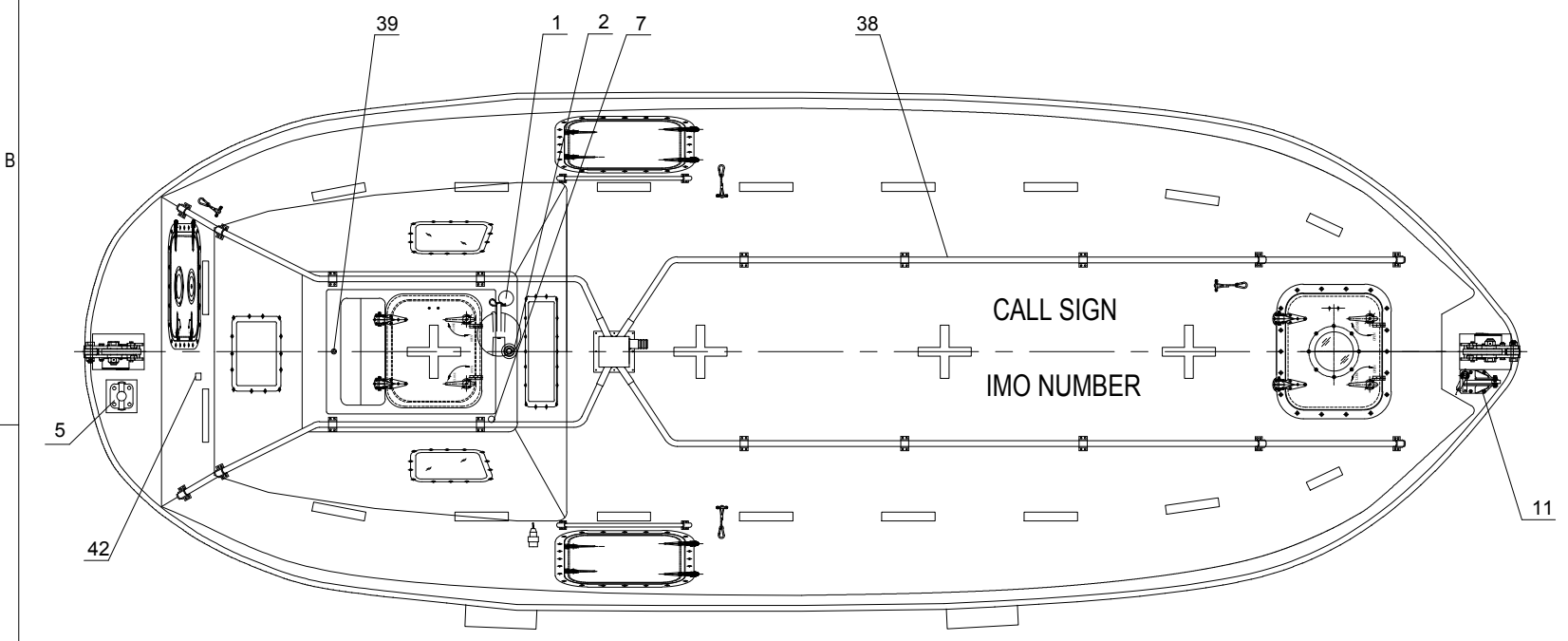


ELEVATION

REAR/FRONT VIEW



PLAN (BOAT ON PORT SIDE SHOWN)

MAIN PARTICULARS

LENGTH (MOULDED)	8.00M
BREADTH (MOULDED)	2.85M
DEPTH	1.20M
HEIGHT	3.10M
HOOK DIST	7.60M
HOOK TYPE	TOR MK2-S,6T
NO. OF PERSON	63P
CRAFT WEIGHT	3802.5KG
SPEED	>6 KNOTS
TOTAL WEIGHT	9000KG (82.5Kg/pers)
ENGINE	380J-3, VETUS M3.28

44	BRACKET FOR RELEASE BOX	1	AISI 316L
43	PLUG FOR BATTERY CHARGING	1	IP67
42	VENT FOR BATTERIES	1	SS 316 & PVC HOSE
41	HYDROSTATIC UNIT	1	
40	RELEASE BOX	1	AISI 316
39	RAIN COLLECTION	1	BRASS
38	SPRINKLER OUTLET/PIPING	1 LOT	SEA WATER RESISTANT ALUM.
37	EMERGENCY STEERING HANDLE	1	HOT DIPPED GALVANIZED STEEL
36	SKATE	2	RUBBER & ALUM. PLATE
35	RAIL	3	SEA WATER RESISTANT ALUM.
34	FOOD COMPARTMENT	1	
33	OAR/CRUTCH	2	
32	WATER COMPARTMENT	2	F.R.P. WATER TIGHT
31	STEERING GEAR	1	
30	ENGINE & PROPELLER SHAFT	1	
29	STEERING NOZZLE & PROPELLER	1	F.R.P./NiMn-Bronze Cu3-Cu4
28	BATTERIES	2	70AH
27	AXE	2	
26	PILLAR	1	F.R.P.
25	SPRINKLE SYSTEM	1 LOT	
24	DRAIN PLUG	1	BRASS
23	MANUAL PUMP	1	
22	FIRE EXTINGUISHER	1	
21	FUEL TANK	1	SEA WATER RESISTANT ALUM.
20	AIR SUPPLY SYSTEM	1 LOT	
19	SAFETY BELT	1/PERS	
18	EQUIPMENT COMPARTMENT	1	
17	DOOR LATCH	1 LOT	SS316 & PVC SHIELD WIRE ROPE
16	BACK REST	1 LOT	PLYWOOD (18MM THK.x400MM H.)
15	CONTROL PANEL	1	
14	SEARCH LIGHT	1	
13	INT. LIGHT	2	
12	HELMS CHAIR	1	F.R.P.
11	PAINTER HOOK	1	HOT DIPPED GALVANIZED STEEL
10	GRIPING BOBBIN	2	HOT DIPPED GALVANIZED STEEL
9	HOOKS DEVICE ARRANGEMENT	2	TOR MK2-S,6T
8	LIFE LINE	2	PVC SHIELD WIRE ROPE
7	REMOTE CONTROL LINE HOLE	1	
6	DOOR	1 LOT	
5	BOLLARD	1	SS 316
4	REFLECT LIGHT STRIP	1 LOT	
3	VENTILATOR	2	
2	POSITION LIGHT	1	
1	RADAR REFLECTOR	1	

NO.	REF.DWG.NO.	DESCRIPTION	QTY.	REMARKS
4		USE NEW TEMPLATE		KARL PHLI THWA 17.06.2019
3		UPDATE THE ENGINE TYPE		SATA VX THWA 22.02.2016
2		UPDATE THE ENGINE TYPE		SATA VX THWA 02.02.2016
1		SPECIFIED THE ENGINE TYPE		SATA VX THWA 24.07.2015
0		ISSUED FOR CONSTRUCTION		SATA VX THWA 09.07.2015
REV		DESCRIPTION	BY	CHECK APPRO DATE

REVISION HISTORY



**VIKING NORSAFE**

VIKING Norsafe Life-Saving Equipment Norway AS  
 P.O Box 115 Tel: +47 37 05 85 00  
 4852 Færøvik Fax: +47 37 05 85 01  
 NORWAY 24/7 Service: +47 37 05 63 33  
 Email: viking@viking-life.com

This drawing is the sole property of VIKING Norsafe Life-Saving Equipment Norway AS. It must not be submitted to other parties nor used in any manner detrimental to our interests. It shall not be copied, reproduced, used for manufacturing or sale without the written consent of VIKING Norsafe Life-Saving Equipment Norway AS. All rights are reserved.

DWG SIZE: A3	SCALE: 1:30	COPY OF:	PART NO.	WEIGHT:	SHEET: 1/1
CLIENT NO:	PROJECTION METHOD:	REVISION: 4	EXTERNAL ARRANGEMENT		
TOLERANCES: ISO 2768-mk, ISO 13920-BF	PROJECT: STANDARD	TOR MKII-S 6T			
DWG No: G-500913	JYN-80T				
GENERAL					

Due to manufacturing reasons dimensions may vary up to 50mm