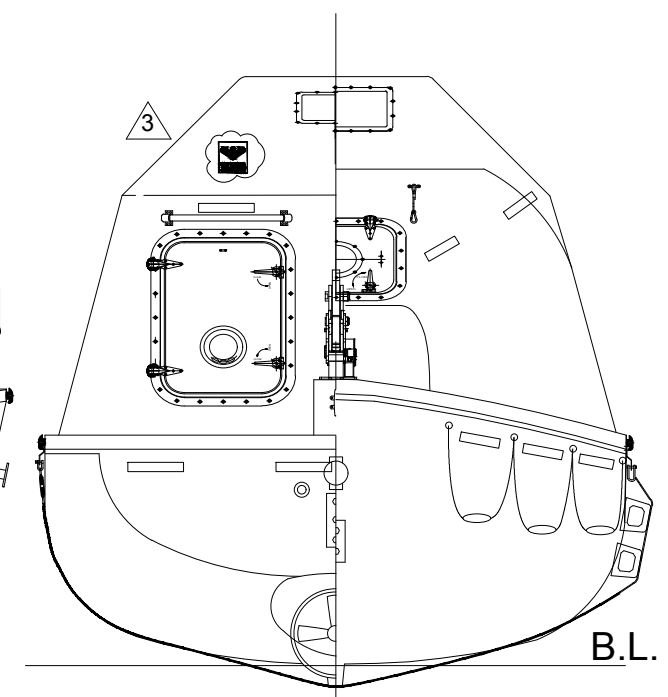


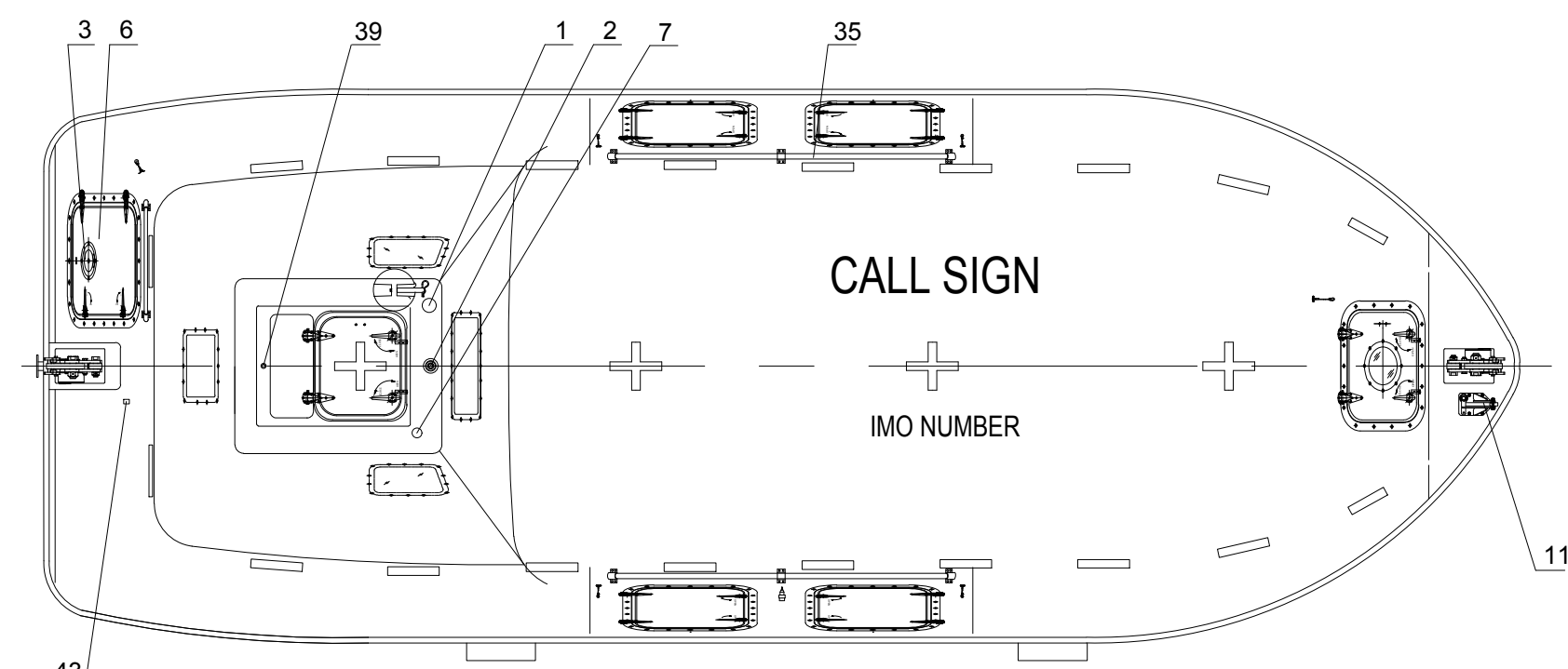
ELEVATION



REAR/FRONT VIEW

MAIN PARTICULARS

- LENGTH (MOULDED) 8.50M
- BREADTH (MOULDED) 3.15M
- DEPTH 1.25M
- TOTAL HEIGHT 3.30M
- HOOK DIST 8.00M
- HOOK TYPE TOR MK2-S,9T
- NO. OF PERSON 80P
- CRAFT WEIGHT 4600KG
- SPEED >6 KNOTS
- TOTAL WEIGHT 11200KG (82.5Kg/pers)
- ENGINE NLDE-3
- SABB-L3
- BUKH RME-29DV
- BUKH BETA-EPA28
- YANMAR-3JH30A
- VETUS-M4.15



PLAN

| | | | |
|----|---------------------------------|--------|------------------------------|
| 45 | BRACKET FOR RELEASE CONTROL BOX | 1 | AISI 316L |
| 44 | PLUG FOR BATTERY CHARGER | 1 | IP67 |
| 43 | VENT FOR BATTERIES | 1 | SS316 & PVC HOSE |
| 42 | EQUIPMENT SHELF | 2 | F.R.P. |
| 41 | HYDROSTATIC UNIT | 1 | |
| 40 | RELEASE CONTROL BOX | 1 | AISI 316 |
| 39 | RAIN COLLECTION | 1 | BRASS |
| 38 | | | |
| 37 | EMERGENCY STEERING HANDLE | 1 | HOT DIPPED GALVANIZED STEEL |
| 36 | SKATE | 2 | RUBBER & ALUM. PLATE |
| 35 | RAIL | 2 | SEA WATER RESISTANT ALUM. |
| 34 | FOOD COMPARTMENT | 1 | F.R.P. |
| 33 | OAR/BOAT HOOK | 2 | WOOD/PLASTIC |
| 32 | WATER COMPARTMENT | 3 | F.R.P. WATER TIGHT |
| 31 | STEERING GEAR | 1 | |
| 30 | ENGINE & PROPELLER SHAFT | 1 | |
| 29 | STEERING NOZZLE & PROPELLER | 1 | F.R.P. / NiMn-Bronze Cu3-Cu4 |
| 28 | BATTERIES | 2 | 70AH |
| 27 | AXE | 2 | |
| 26 | PILLAR | 1 | F.R.P. |
| 25 | | | |
| 24 | DRAIN PLUG | 1 | BRASS |
| 23 | MANUAL PUMP | 1 | |
| 22 | FIRE EXTINGUISHER | 1 | |
| 21 | FUEL TANK | 1 | SEA WATER RESISTANT ALUM. |
| 20 | | | |
| 19 | SAFETY BELT | 1/PERS | |
| 18 | EQUIPMENT COMPARTMENT | 1 | |
| 17 | DOOR LATCH | 1 LOT | SS316 & PVC SHIELD WIRE ROPE |
| 16 | BACK REST | 1 | PLYWOOD (18MM THK.x400MM H.) |
| 15 | CONTROL PANEL | 1 | |
| 14 | SEARCH LIGHT | 1 | |
| 13 | INT. LIGHT | 2 | |
| 12 | HELMS CHAIR | 1 | F.R.P. |
| 11 | PAINTER HOOK | 1 | HOT DIPPED GALVANIZED STEEL |
| 10 | GRIPING BOBBIN | 2 | HOT DIPPED GALVANIZED STEEL |
| 9 | HOOKS DEVICE ARRANGEMENT | 2 | TOR MK2-S,9T |
| 8 | LIFE LINE | 2 | PVC SHIELD WIRE ROPE |
| 7 | REMOTE CONTROL LINE HOLE | 1 | |
| 6 | DOOR, WINDOW & HATCH | 1 LOT | |
| 5 | BOLLARD | 1 | SS 316 |
| 4 | REFLECT LIGHT STRIP | 1 LOT | |
| 3 | VENTILATOR | 1 | |
| 2 | POSITION LIGHT | 1 | |
| 1 | RADAR REFLECTOR | 1 | |

| NO. | REF. DWG. NO. | DESCRIPTION | QTY. | REMARKS |
|-----|---------------|-----------------------------|------|----------------------|
| 3 | | USE NEW TEMPLATE | KARL | PHLI THWA 18.06.2019 |
| 2 | | ADD VETUS M4.15 ENGINE TYPE | SATA | VX THWA 03.07.2018 |
| 1 | | MODIFY REFLECT LIGHT STRIP | SATA | VX THWA 26.08.2015 |
| 0 | | ISSUED FOR CONSTRUCTION | SATA | VX THWA 09.07.2015 |

REVISION HISTORY

VIKING NORSAFE

VIKING Norsafe Life-Saving Equipment Norway AS
 P.O Box 115 Tel: +47 37 05 85 00
 4852 Færøvik Fax: +47 37 05 85 01
 NORWAY 24/7 Service: +47 37 05 63 33
 Email: viking@viking-life.com

This drawing is the sole property of VIKING Norsafe Life-Saving Equipment Norway AS. It must not be submitted to other parties nor used in any manner detrimental to our interests. It shall not be copied, reproduced, used for manufacturing or sale without the written consent of VIKING Norsafe Life-Saving Equipment Norway AS. All rights are reserved.

DWG SIZE: A3 SCALE: 1:30 COPY OF:

CLIENT NO:

TOLERANCES: ISO 2768-mk, ISO 13920-BF

DWG No: G-500924

PROJECTION METHOD:

REVISION: 3

PROJECT: STANDARD

EXTERNAL ARRANGEMENT
 TOR MKII-S 9T
 JYN-85DC
 GENERAL

Due to manufacturing reasons dimensions may vary up to 50mm