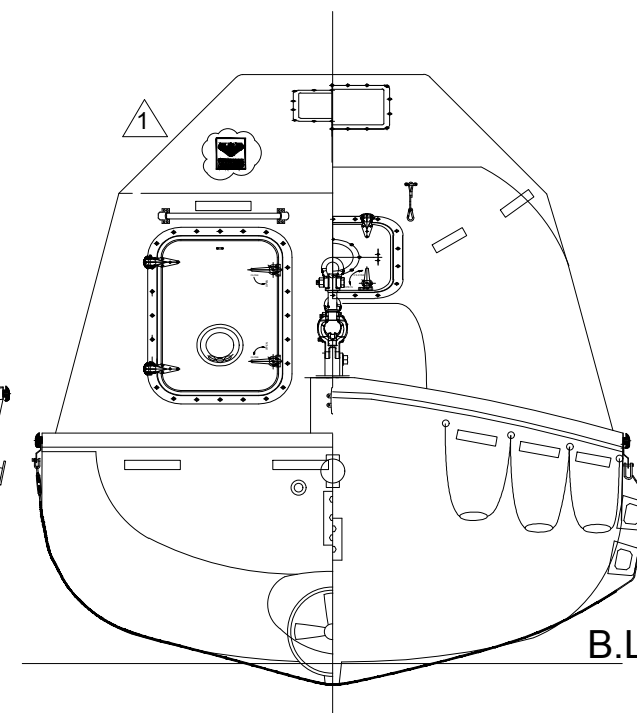


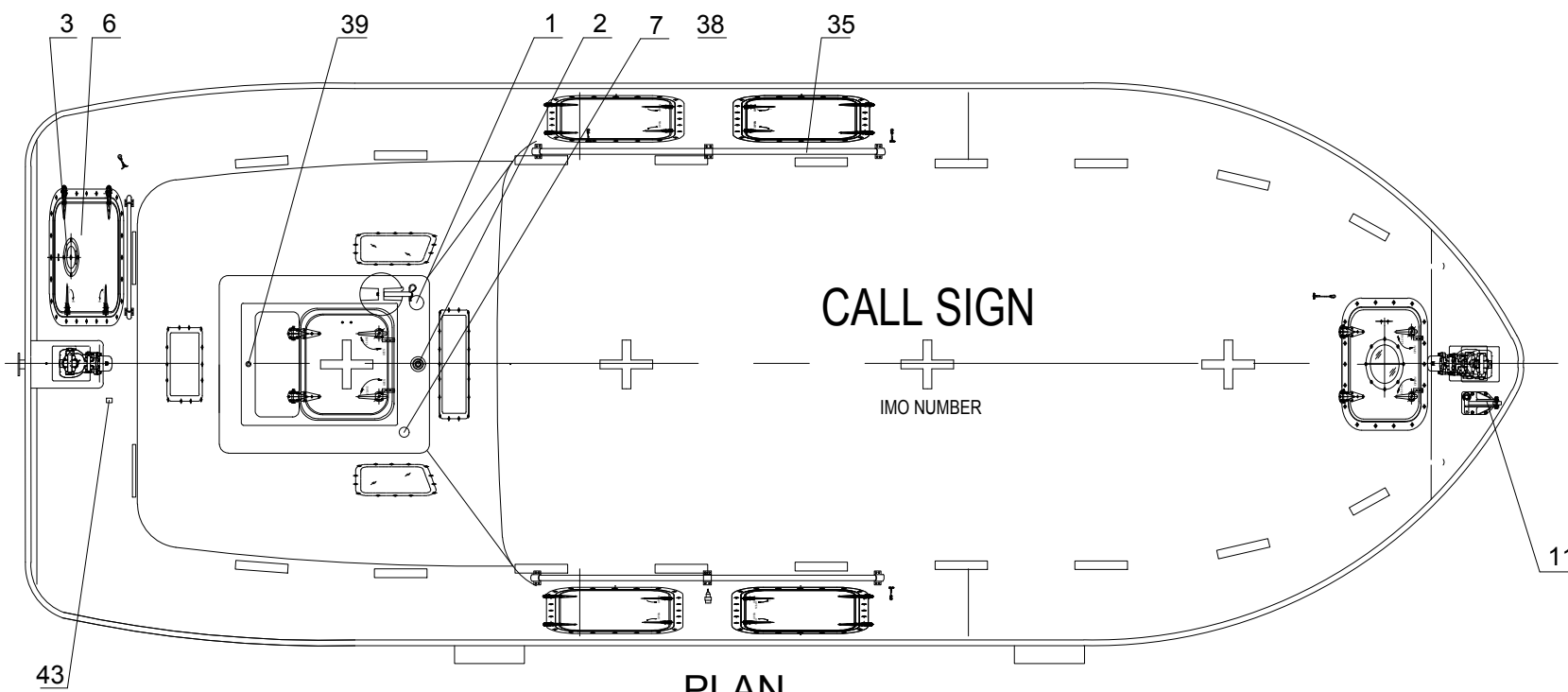
ELEVATION



REAR/FRONT VIEW

MAIN PARTICULARS

LENGTH (MOULDED)	8.50M
BREADTH (MOULDED)	3.15M
DEPTH	1.25M
TOTAL HEIGHT	3.30M
HOOK DIST	8.00M
HOOK TYPE	NADIRO DIB 75
NO. OF PERSON	79P
CRAFT WEIGHT	4682.5KG
SPEED	>6 KNOTS
TOTAL WEIGHT	11200KG (82.5Kg/pers)
ENGINE	NLDE-3



PLAN

45	FENDER	1	PVC
44	PLUG FOR BATTERY CHARGER	1	IP67
43	VENT FOR BATTERIES	1	SS316 & PVC HOSE
42	EQUIPMENT SHELF	2	F.R.P.
41	WATER SENSOR UNIT	1	
40	EMERGENCY RELEASE VALVE	1	
39	RAIN COLLECTION	1	BRASS
38			
37	EMERGENCY STEERING HANDLE	1	HOT DIPPED GALVANIZED STEEL
36	SKATE	2	RUBBER & ALUM. PLATE
35	RAIL	2	SEA WATER RESISTANT ALUM.
34	FOOD COMPARTMENT	1	F.R.P.
33	OAR/BOAT HOOK	2	WOOD/PLASTIC
32	WATER COMPARTMENT	3	F.R.P. WATER TIGHT
31	STEERING GEAR	1	
30	ENGINE & PROPELLER SHAFT	1	
29	STEERING NOZZLE & PROPELLER	1	F.R.P. / NiMn-Bronze Cu3-Cu4
28	BATTERIES	2	70AH
27	AXE	2	
26	PILLAR	1	F.R.P.
25			
24	DRAIN PLUG	1	BRASS
23	MANUAL PUMP	1	
22	FIRE EXTINGUISHER	1	
21	FUEL TANK	1	SEA WATER RESISTANT ALUM.
20			
19	SAFETY BELT	1/PERS	
18	EQUIPMENT COMPARTMENT	1	
17	DOOR LATCH	1 LOT	SS316 & PVC SHIELD WIRE ROPE
16	BACK REST	1	PLYWOOD (18MM THK.x400MM H.)
15	CONTROL PANEL	1	
14	SEARCH LIGHT	1	
13	INT. LIGHT	2	
12	HELMS CHAIR	1	F.R.P.
11	PAINTER HOOK	1	HOT DIPPED GALVANIZED STEEL
10	GRIPING BOBBIN	2	HOT DIPPED GALVANIZED STEEL
9	HOOKS DEVICE ARRANGEMENT	2	NADIRO DIB 75
8	LIFE LINE	2	PVC SHIELD WIRE ROPE
7	REMOTE CONTROL LINE HOLE	1	
6	DOOR, WINDOW & HATCH	1 LOT	
5	BOLLARD	1	SS 316
4	REFLECT LIGHT STRIP	1 LOT	
3	VENTILATOR	1	
2	POSITION LIGHT	1	
1	RADAR REFLECTOR	1	

NO.	REF.DWG.NO.	DESCRIPTION	QTY.	REMARKS	
1		USE NEW TEMPLATE		KARL PHLI THWA 01.07.2019	
0		ISSUED FOR CONSTRUCTION		KARL PHLI THWA 20.03.2019	
REV	DESCRIPTION	BY	CHECK	APPRO	DATE

REVISION HISTORY

VIKING NORSAFE

VIKING Norsafe Life-Saving Equipment Norway AS
 P.O Box 115
 4852 Færvik
 NORWAY

Tel: +47 37 05 85 00
 Fax: +47 37 05 85 01
 24/7 Service: +47 37 05 63 33
 Email: viking@viking-life.com

This drawing is the sole property of VIKING Norsafe Life-Saving Equipment Norway AS. It must not be submitted to other parties nor used in any manner detrimental to our interests. It shall not be copied, reproduced, used for manufacturing or sale without the written consent of VIKING Norsafe Life-Saving Equipment Norway AS. All rights are reserved.

DWG SIZE: A3 SCALE: 1:30 COPY OF:

CLIENT NO:

TOLERANCES: ISO 2768-mk, ISO 13920-BF

DWG No: G-503269

PROJECTION METHOD: FIRST ANGLE

REVISION: 1

PROJECT: STANDARD

EXTERNAL ARRANGEMENT
 NADIRO DIB 75
 JYN-85 DC
 GENERAL

Due to manufacturing reasons dimensions may vary up to 50mm

49	OPERATION PANEL	1
48	HYDRAULIC PUMP OR TANK	1
47	ACCUMULATOR	1
46	PILOT CONTROLLED VALVE	1