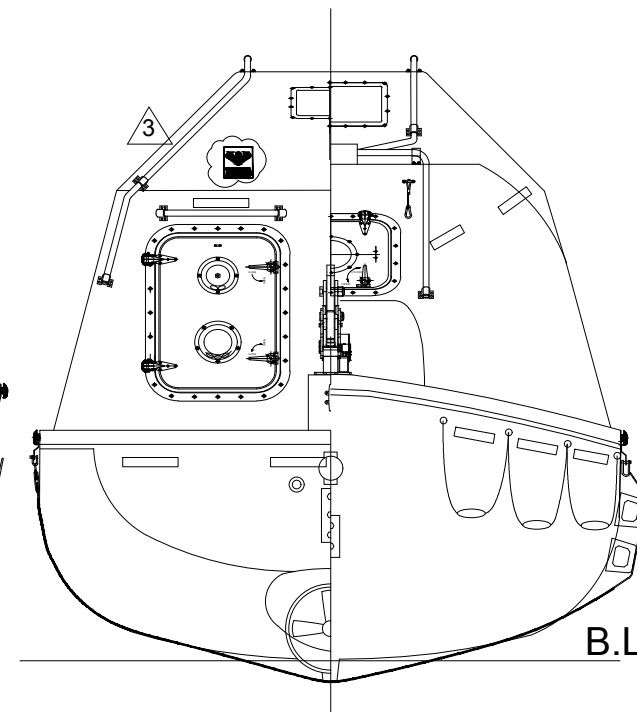
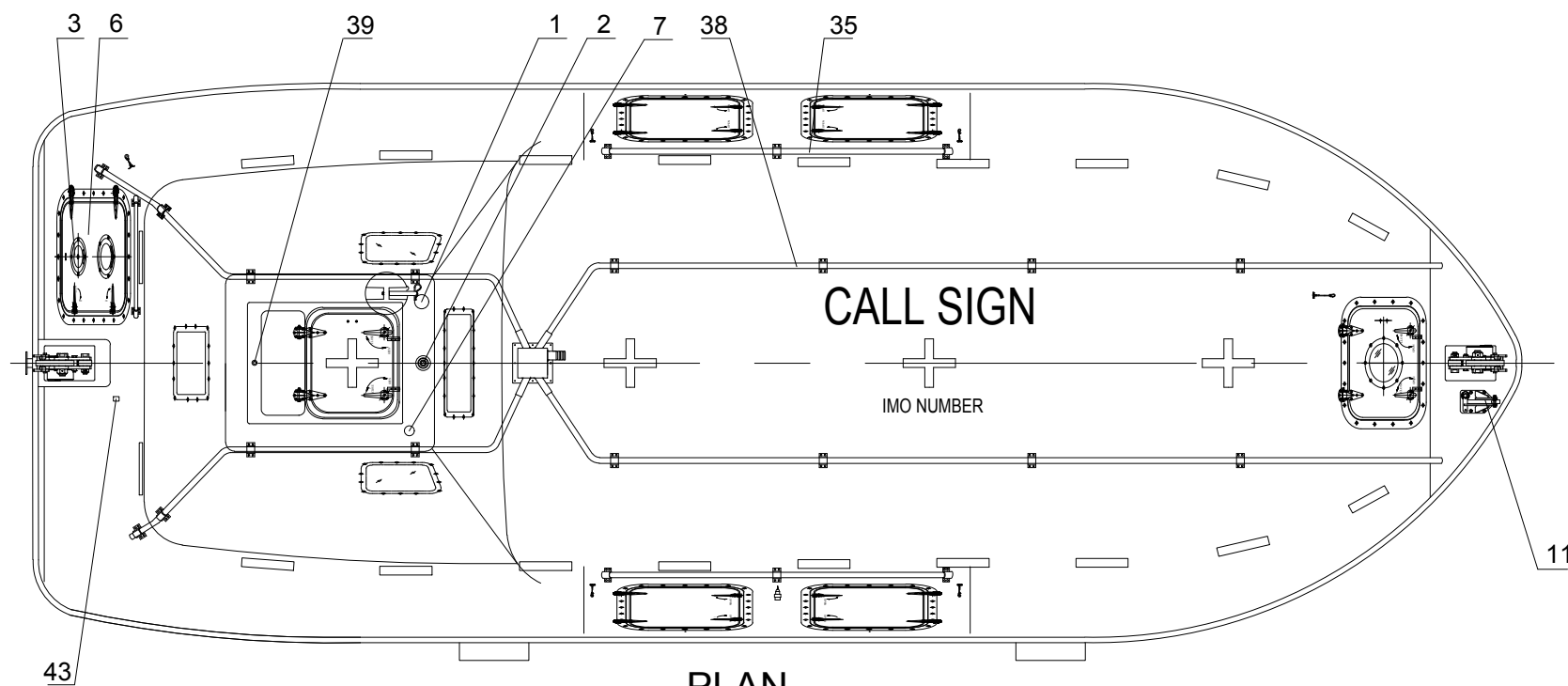


ELEVATION



REAR/FRONT VIEW



PLAN

MAIN PARTICULARS

LENGTH (MOULDED) 8.50M  
 BREADTH (MOULDED) 3.15M  
 DEPTH 1.25M  
 TOTAL HEIGHT 3.30M  
 HOOK DIST 8.00M  
 HOOK TYPE TOR MK2-S,9T  
 NO. OF PERSON 80P  
 CRAFT WEIGHT 4600KG  
 SPEED >6 KNOTS  
 TOTAL WEIGHT 11200KG (82.5Kg/pers)  
 ENGINE NLDE-3  
 SABB-L3  
 BUKH RME-29DV  
 BUKH BETA-EPA28  
 YANMAR-3JH30A  
 VETUS-M4.15

45	BRACKET FOR RELEASE CONTROL BOX	1	AISI 316L
44	PLUG FOR BATTERY CHARGER	1	IP67
43	VENT FOR BATTERIES	1	SS316 & PVC HOSE
42	EQUIPMENT SHELF	2	F.R.P.
41	HYDROSTATIC UNIT	1	
40	RELEASE CONTROL BOX	1	AISI 316
39	RAIN COLLECTION	1	BRASS
38	SPRINKLE OUTLET/ PIPING	1 LOT	SEA WATER RESISTANT ALUM.
37	EMERGENCY STEERING HANDLE	1	HOT DIPPED GALVANIZED STEEL
36	SKATE	2	RUBBER & ALUM. PLATE
35	RAIL	2	SEA WATER RESISTANT ALUM.
34	FOOD COMPARTMENT	1	F.R.P.
33	OAR/BOAT HOOK	2	WOOD/PLASTIC
32	WATER COMPARTMENT	3	F.R.P. WATER TIGHT
31	STEERING GEAR	1	
30	ENGINE & PROPELLER SHAFT	1	
29	STEERING NOZZLE & PROPELLER	1	F.R.P. / NiMn-Bronze Cu3-Cu4
28	BATTERIES	2	70AH
27	AXE	2	
26	PILLAR	1	F.R.P.
25	SPRINKLE PUMP	1	90-80CBPJ
24	DRAIN PLUG	1	BRASS
23	MANUAL PUMP	1	
22	FIRE EXTINGUISHER	1	
21	FUEL TANK	1	SEA WATER RESISTANT ALUM.
20	AIR CYLINDER	3	
19	SAFETY BELT	1/PERS	
18	EQUIPMENT COMPARTMENT	1	
17	DOOR LATCH	1 LOT	SS316 & PVC SHIELD WIRE ROPE
16	BACK REST	1	PLYWOOD (18MM THK.x400MM H.)
15	CONTROL PANEL	1	
14	SEARCH LIGHT	1	
13	INT. LIGHT	2	
12	HELMS CHAIR	1	F.R.P.
11	PAINTER HOOK	1	HOT DIPPED GALVANIZED STEEL
10	GRIPING BOBBIN	2	HOT DIPPED GALVANIZED STEEL
9	HOOKS DEVICE ARRANGEMENT	2	TOR MK2-S,9T
8	LIFE LINE	2	PVC SHIELD WIRE ROPE
7	REMOTE CONTROL LINE HOLE	1	
6	DOOR, WINDOW & HATCH	1 LOT	
5	BOLLARD	1	SS 316
4	REFLECT LIGHT STRIP	1 LOT	
3	VENTILATOR	2	
2	POSITION LIGHT	1	
1	RADAR REFLECTOR	1	

NO.	REF.DWG.NO.	DESCRIPTION	QTY.	REMARKS		
3		USE NEW TEMPLATE	KARL	PHLI THWA 18.06.2019		
2		ADD VETUS M4.15 ENGINE TYPE	SATA	VX THWA 03.07.2018		
1		MODIFY REFLECT LIGHT STRIP	SATA	VX THWA 26.08.2015		
0		ISSUED FOR CONSTRUCTION	SATA	VX THWA 09.07.2015		
REV		DESCRIPTION	BY	CHECK	APPRO	DATE

REVISION HISTORY

**VIKING NORSAFE**

VIKING Norsafe Life-Saving Equipment Norway AS  
 P.O Box 115 Tel: +47 37 05 85 00  
 4852 Færvik Fax: +47 37 05 85 01  
 NORWAY 24/7 Service: +47 37 05 63 33  
 Email: viking@viking-life.com

This drawing is the sole property of VIKING Norsafe Life-Saving Equipment Norway AS. It must not be submitted to other parties nor used in any manner detrimental to our interests. It shall not be copied, reproduced, used for manufacturing or sale without the written consent of VIKING Norsafe Life-Saving Equipment Norway AS. All rights are reserved.

DWG SIZE: A3	SCALE: 1:30	COPY OF:	PART NO.	WEIGHT:	SHEET 1/1
CLIENT NO:	PROJECTION METHOD:	EXTERNAL ARRANGEMENT			
TOLERANCES: ISO 2768-mk, ISO 13920-BF	REVISION: 3	TOR MKII-S 9T			
DWG No: G-500922	PROJECT: STANDARD	JYN-85T			
		GENERAL			

Due to manufacturing reasons dimensions may vary up to 50mm