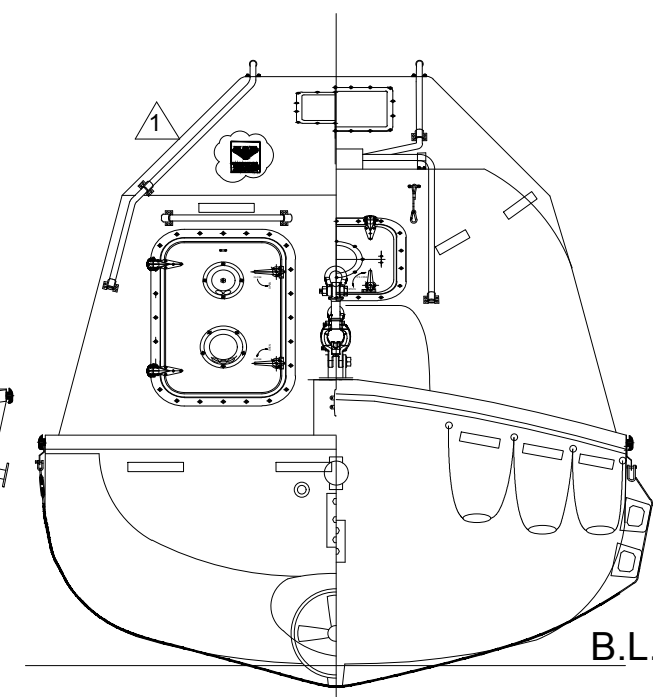


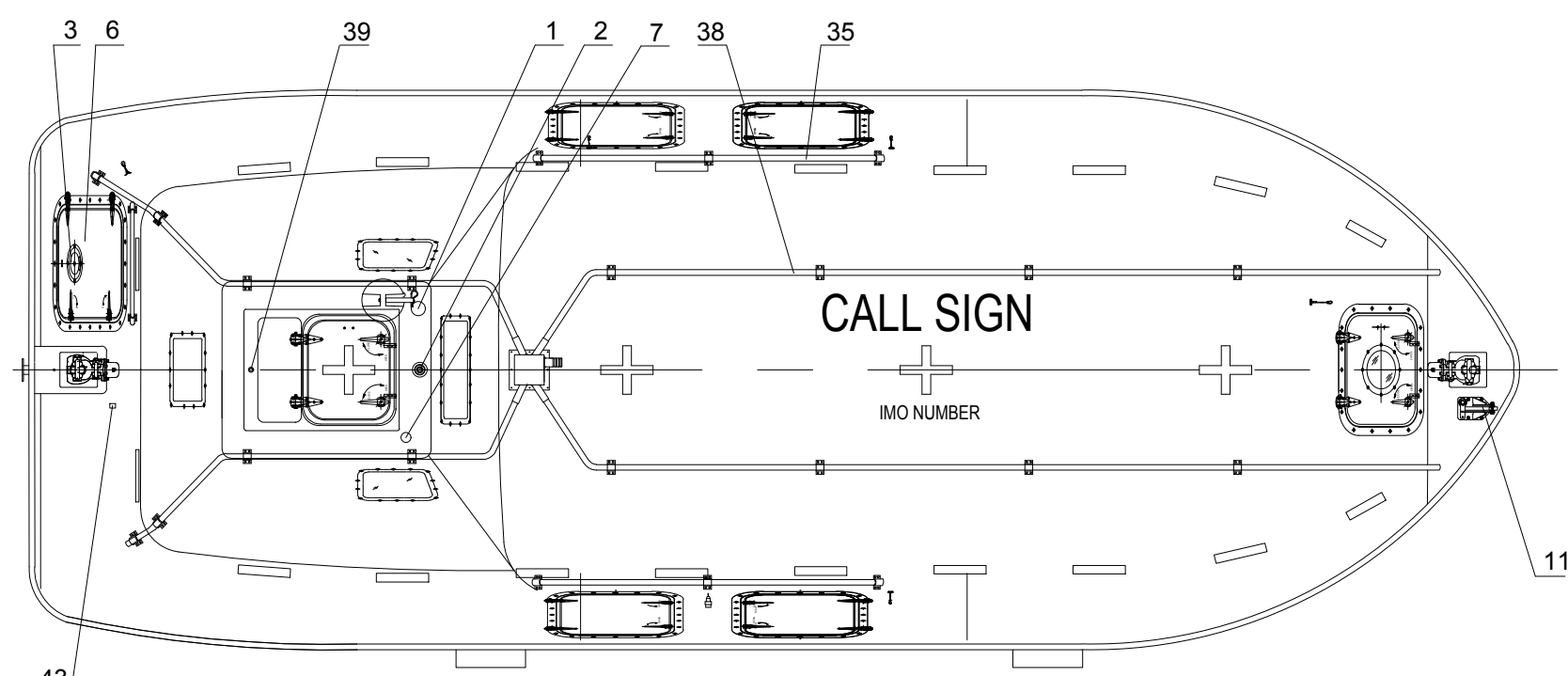
ELEVATION



REAR/FRONT VIEW

MAIN PARTICULARS

LENGTH (MOULDED)	8.50M
BREADTH (MOULDED)	3.15M
DEPTH	1.25M
TOTAL HEIGHT	3.30M
HOOK DIST	8.00M
HOOK TYPE	NADIRO DIB 75
NO. OF PERSON	79P
CRAFT WEIGHT	4682.5KG
SPEED	>6 KNOTS
TOTAL WEIGHT	11200KG (82.5Kg/pers)
ENGINE	NLDE-3 SABB-L3 BUKH RME-29DV BUKH BETA-EPA28 YANMAR-3JH30A VETUS-M4.15



PLAN

NO.	REF. DWG. NO.	DESCRIPTION	QTY.	REMARKS
45		FENDER	1	PVC
44		PLUG FOR BATTERY CHARGER	1	IP67
43		VENT FOR BATTERIES	1	SS316 & PVC HOSE
42		EQUIPMENT SHELF	2	F.R.P.
41		WATER SENSOR UNIT	1	
40		EMERGENCY RELEASE VALVE	1	
39		RAIN COLLECTION	1	BRASS
38		SPRINKLE OUTLET/ PIPING	1 LOT	SEA WATER RESISTANT ALUM.
37		EMERGENCY STEERING HANDLE	1	HOT DIPPED GALVANIZED STEEL
36		SKATE	2	RUBBER & ALUM. PLATE
35		RAIL	2	SEA WATER RESISTANT ALUM.
34		FOOD COMPARTMENT	1	F.R.P.
33		OAR/BOAT HOOK	2	WOOD/PLASTIC
32		WATER COMPARTMENT	3	F.R.P. WATER TIGHT
31		STEERING GEAR	1	
30		ENGINE & PROPELLER SHAFT	1	
29		STEERING NOZZLE & PROPELLER	1	F.R.P. / NiMn-Bronze Cu3-Cu4
28		BATTERIES	2	70AH
27		AXE	2	
26		PILLAR	1	F.R.P.
25		SPRINKLE PUMP	1	90-80CBPJ
24		DRAIN PLUG	1	BRASS
23		MANUAL PUMP	1	
22		FIRE EXTINGUISHER	1	
21		FUEL TANK	1	SEA WATER RESISTANT ALUM.
20		AIR CYLINDER	3	
19		SAFETY BELT	1/PERS	
18		EQUIPMENT COMPARTMENT	1	
17		DOOR LATCH	1 LOT	SS316 & PVC SHIELD WIRE ROPE
16		BACK REST	1	PLYWOOD (18MM THK.x400MM H.)
15		CONTROL PANEL	1	
14		SEARCH LIGHT	1	
13		INT. LIGHT	2	
12		HELMS CHAIR	1	F.R.P.
11		PAINTER HOOK	1	HOT DIPPED GALVANIZED STEEL
10		GRIPING BOBBIN	2	HOT DIPPED GALVANIZED STEEL
9		HOOKS DEVICE ARRANGEMENT	2	NADIRO DIB 75
8		LIFE LINE	2	PVC SHIELD WIRE ROPE
7		REMOTE CONTROL LINE HOLE	1	
6		DOOR, WINDOW & HATCH	1 LOT	
5		BOLLARD	1	SS 316
4		REFLECT LIGHT STRIP	1 LOT	
3		VENTILATOR	2	
2		POSITION LIGHT	1	
1		RADAR REFLECTOR	1	

NO.	REF. DWG. NO.	DESCRIPTION	QTY.	REMARKS	
1		USE NEW TEMPLATE	KARL	PHLI THWA 01.07.2019	
0		ISSUED FOR CONSTRUCTION	KARL	PHLI THWA 20.03.2019	
REV	DESCRIPTION	BY	CHECK	APPRO	DATE

REVISION HISTORY

VIKING NORSAFE

VIKING Norsafe Life-Saving Equipment Norway AS
 P.O Box 115 Tel: +47 37 05 85 00
 4852 Færvik Fax: +47 37 05 85 01
 NORWAY 24/7 Service: +47 37 05 63 33
 Email: viking@viking-life.com

This drawing is the sole property of VIKING Norsafe Life-Saving Equipment Norway AS. It must not be submitted to other parties nor used in any manner detrimental to our interests. It shall not be copied, reproduced, used for manufacturing or sale without the written consent of VIKING Norsafe Life-Saving Equipment Norway AS. All rights are reserved.

DWG SIZE: A3	SCALE: 1:30	COPY OF:	PART NO.	WEIGHT:	SHEET: 1 / 1
CLIENT NO:	PROJECTION METHOD:	EXTERNAL ARRANGEMENT			
TOLERANCES: ISO 2768-mk, ISO 13920-BF	REVISION: 1	NADIRO DIB 75			
DWG No: G-503267	PROJECT: STANDARD	JYN-85T			
		GENERAL			

Due to manufacturing reasons dimensions may vary up to 50mm

49	OPERATION PANEL	1
48	HYDRAULIC PUMP OR TANK	1
47	ACCUMULATOR	1
46	PILOT CONTROLLED VALVE	1