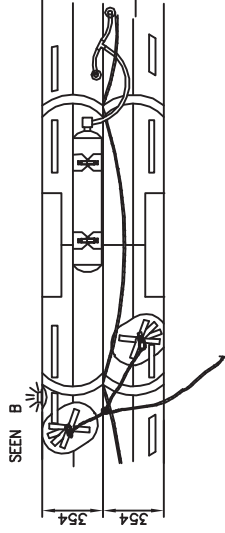
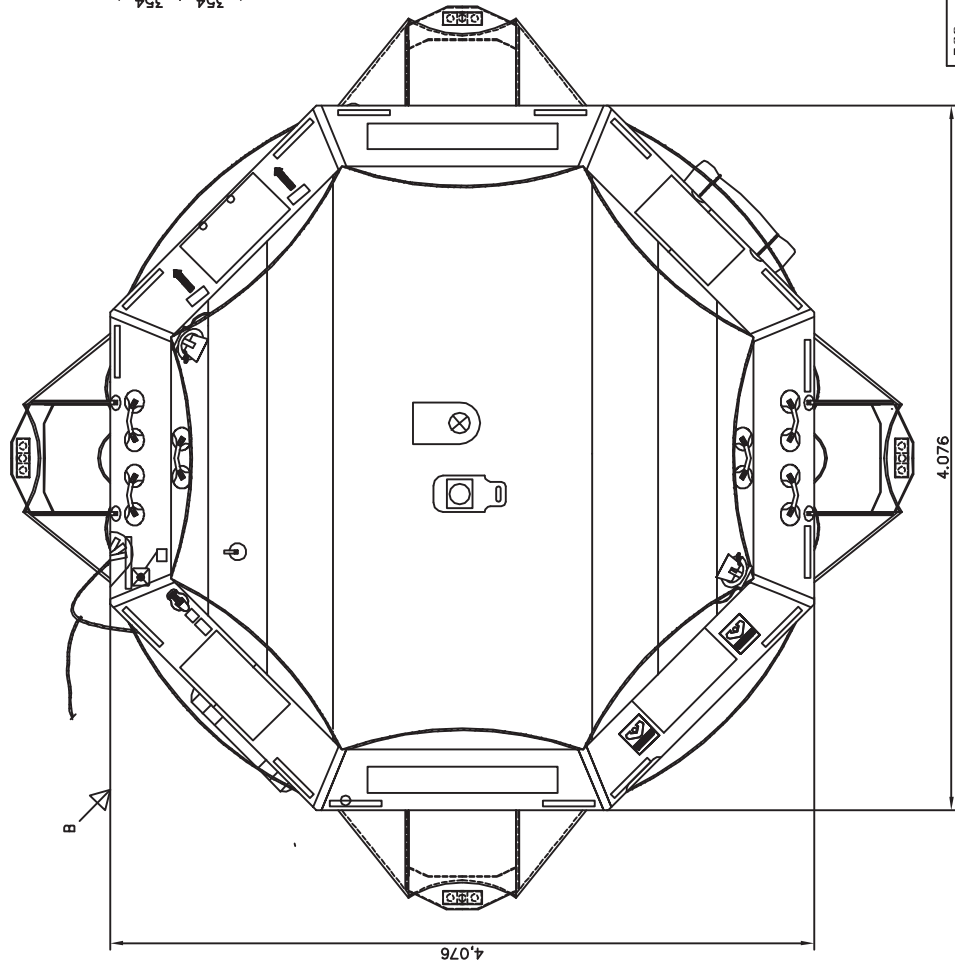


1 2 3 4 5 6



POS:	Qty.	Description	Material No:
If the product is requested to be manufactured differently, this MUST be approved by VIKING LIFE-SAVING EQUIPMENT A/S and a specification of change must be filled in if the variation is approved. Unless otherwise specified the product must always be clearly labeled with Viking part no., manufacturer ID and manufacturing year.			
REVISION NO:	00	REVISION DESCRIPTION:	APPROVAL INITIALS:
MATERIAL NO:	1052793	STATUS:	—
BASIC MATERIAL:	—	SURFACE TREATMENT:	—
VIKING LIFE-SAVING EQUIPMENT A/S Seeding Ringvej 13, DK-8710 Esbjerg V Tel.: +45 7811 8100 Fax.: +45 7811 8101 E-mail: viking@viking-life.com Web: www.VIKING-life.com		PROJECTION TYPE: FIRST ANGLE PROJECTION GENERAL TOLERANCE: —	UNITS: MM
VIKING LIFE-SAVING EQUIPMENT A/S		SCALE: 1:30	CHECK DATE/INITIALS: —
VIKING LIFE-SAVING EQUIPMENT DENMARK whose property this document remains. No part thereof may be disclosed, copied, duplicated or in any other way made use of except with the approval of VIKING LIFE-SAVING EQUIPMENT DENMARK		DESCRIPTION: LIFE RAFT TYPE VIKING 25 IBA	DRAWN DATE/INITIALS: 26.07.2018/CLO
Description of change		DRAWING NO.:	42005104.000.00

1 2 3 4 5 6