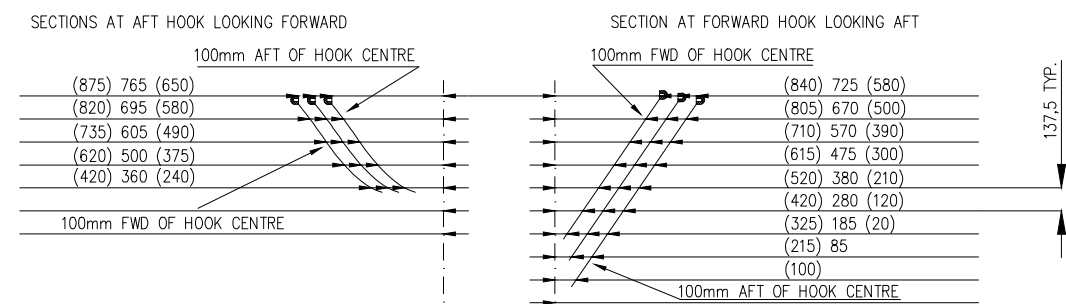
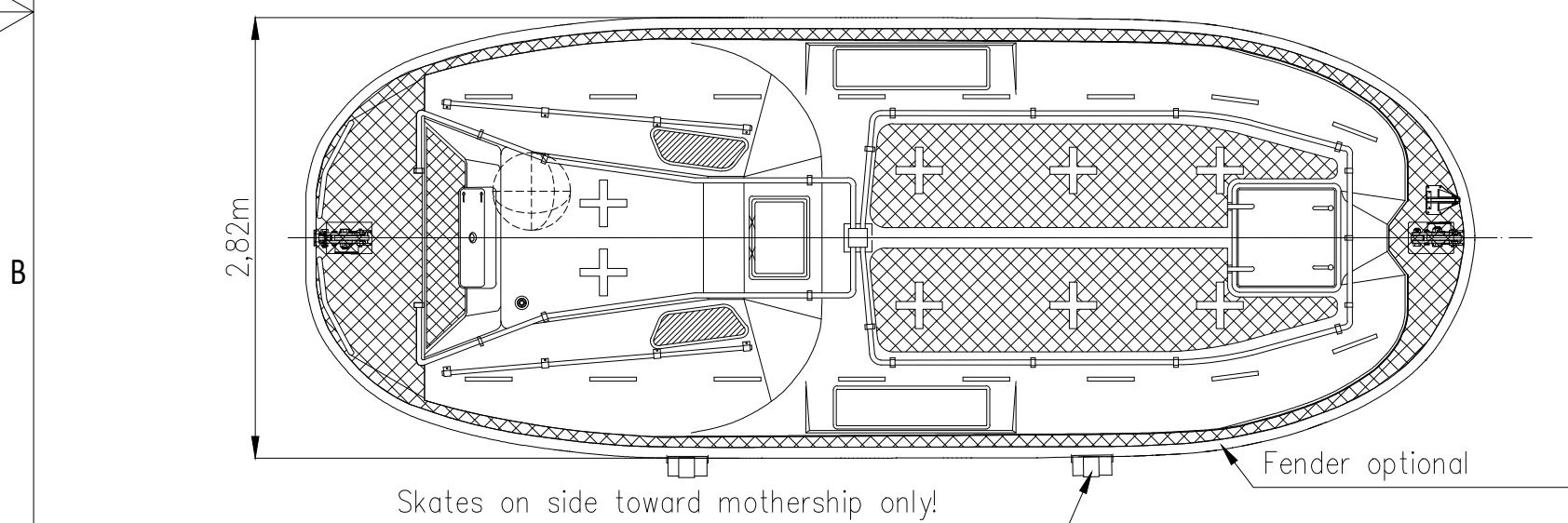


VIEW ON AFT
LOOKING FORWARD

VIEW ON BOW
LOOKING AFT

Mathilda-74 TELB
MAIN DIMENSIONS:

Length over all (without fender)	7,38m
Length over all (with fender)	7,52m
Beam (without fender)	2,71m
Beam (with fender)	2,82m
Total height	3,12m
Hook distance	6,87m
Hook height (fore)	1,90m
Hook height (aft)	1,66m
Capacity	max. 50 pers.
Weight of boat inc. all equipment	3775 kg
Total davit load(82,5kg/pers)	7900 kg



Due to manufacturing reasons
dimensions may vary up to 50mm

ITEM	QTY	DESCRIPTION	PART NO	DOC.REF	MATERIAL	T. MASS
BILL OF MATERIALS						
0	Issued for construction			ATE	PPE	ATE 29.08.2019
REV	DESCRIPTION			BY	CHECK	APPRO
NORSAFE REVISION HISTORY						
		VIKING Norsafe Life-Saving Equipment Norway AS P.O Box 115 Tel: +47 37 05 85 00 4852 Færøvik Fax: +47 37 05 85 01 NORWAY 24/7 Service: +47 37 05 63 33 Email: viking@viking-life.com				
DWG SIZE: A3 SCALE: COPY OF:		PART NO. WEIGHT:		SHEET: 1/1		
CLIENT NO:		PROJECTION METHOD:		External General Arrangement		
TOLERANCES: ISO 2768-mk, ISO 13920-BF		REVISION: 0		Mathilda-74 TELB		
DWG No: G-500834		PROJECT:		TOR MK2-S hooks Tanker version		