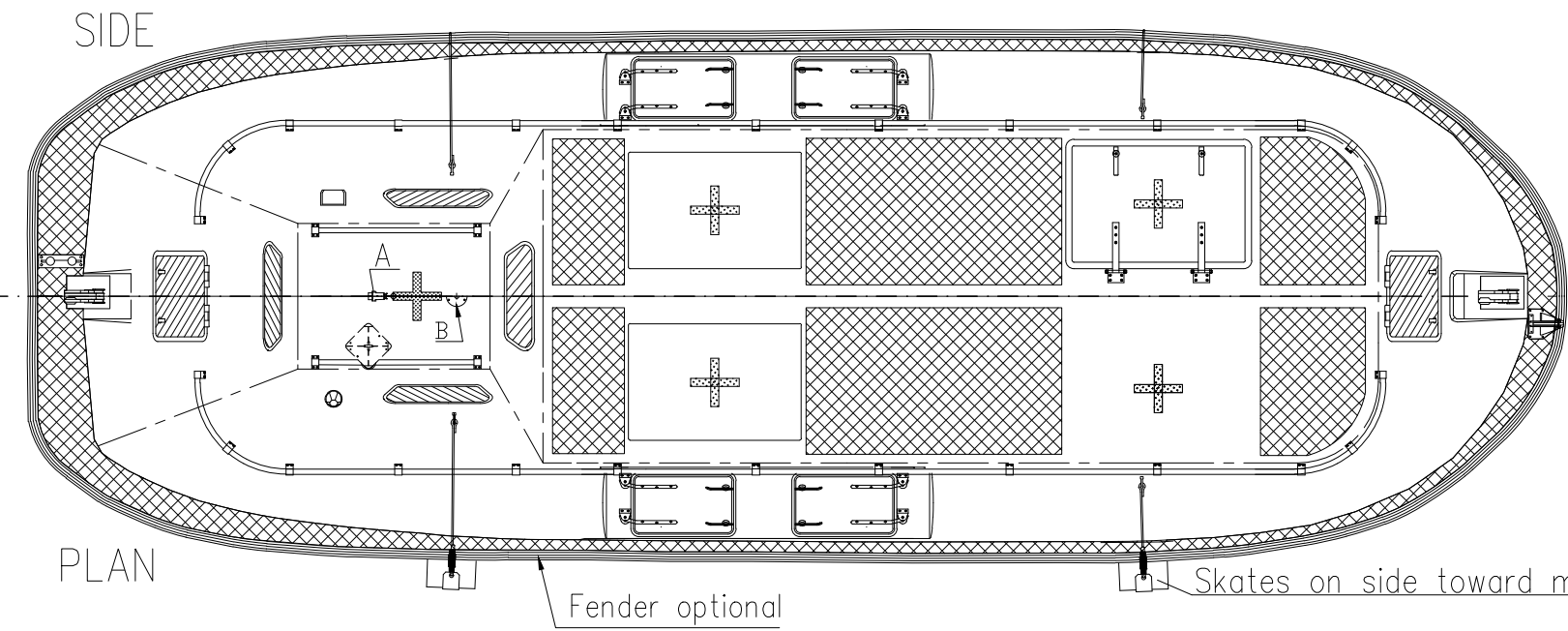
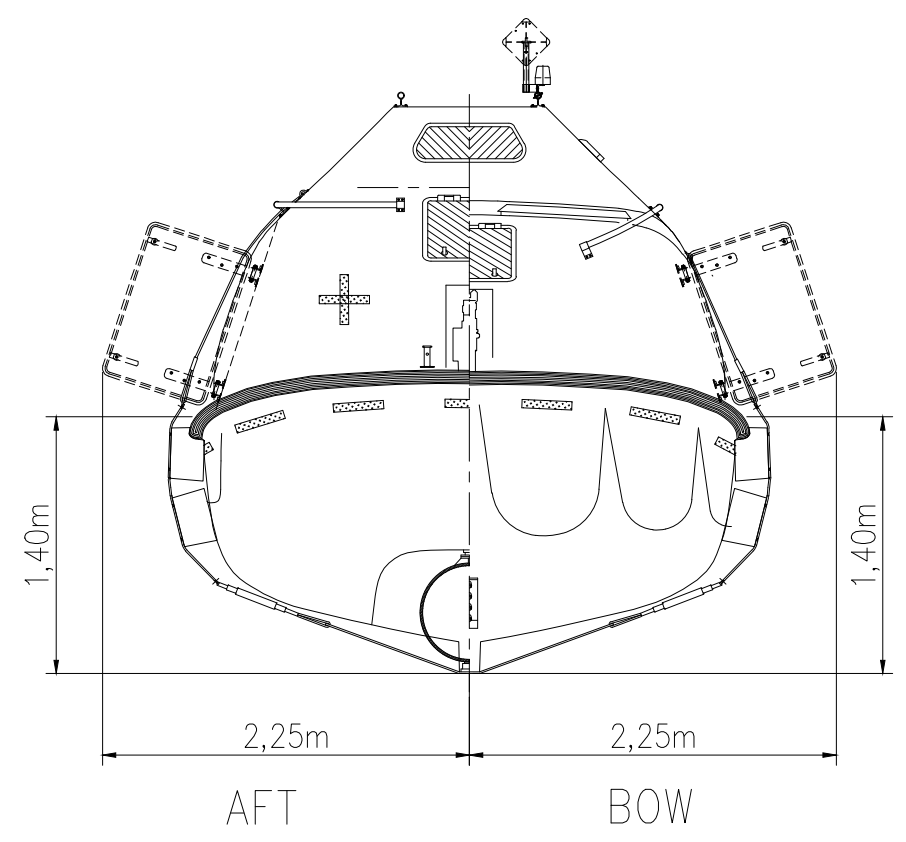
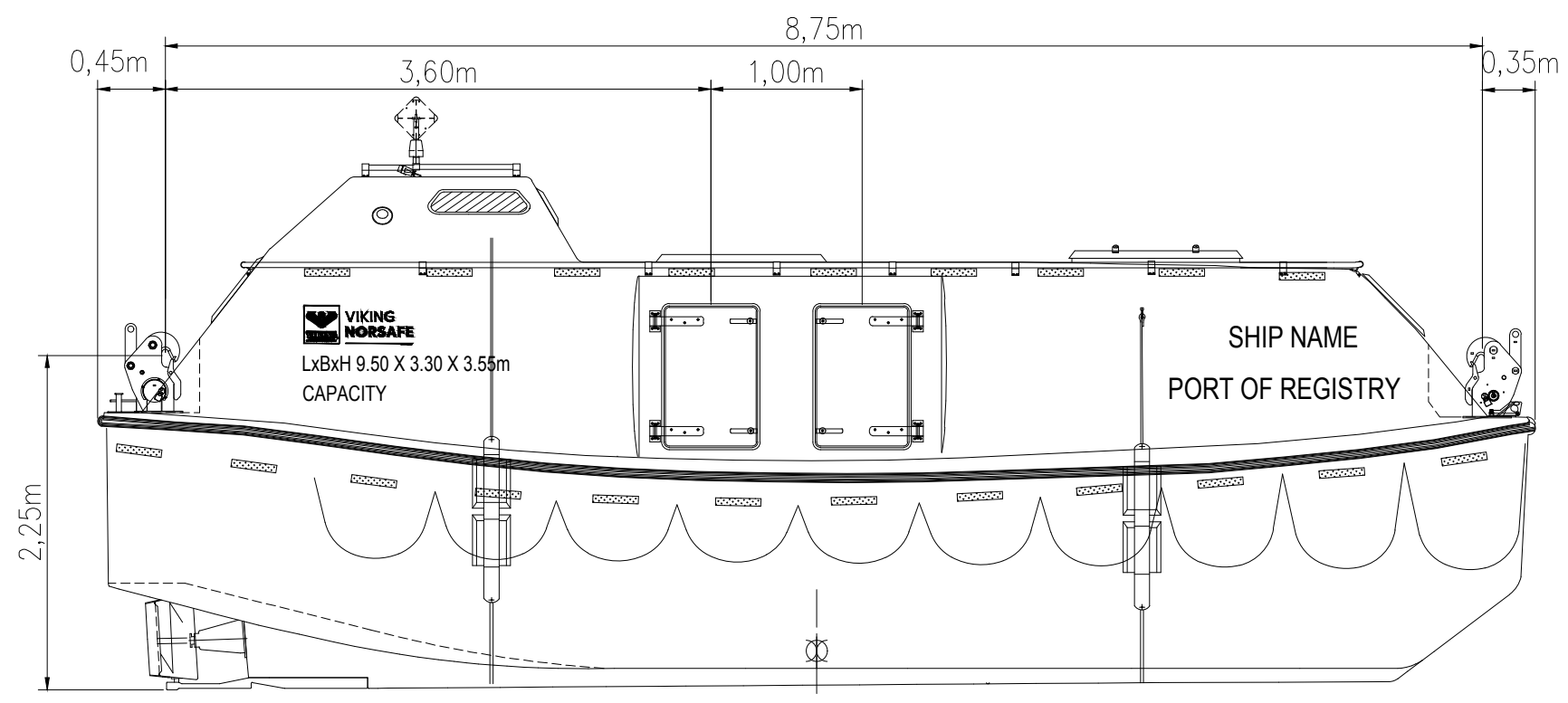
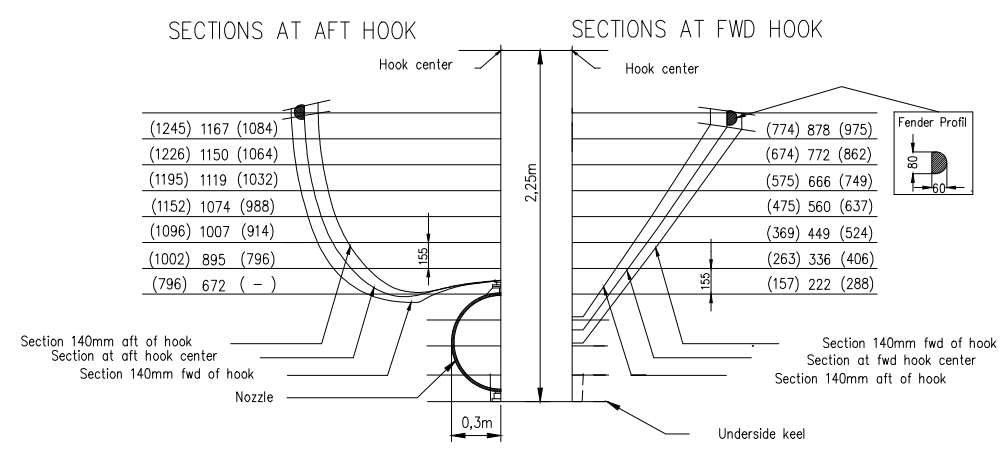


6 5 4 3 2 1



Maud 94 TELB  
**MAIN DIMENSIONS:**  
 Length over all (without fender) 9,4m  
 Length over all (with fender) 9,5m  
 Beam 3,30m  
 Total height 3,55m  
 Hook distance 8,75m  
 Hook height 2,25m  
 Max.Capacity 80 pers.  
 Weight of boat inc. all equipment 4850 kg  
 Total davit load 82,5 kg/peron 11450 kg

A = Power supply plug 2m from aft hook (optional)  
 B = Winch brake wire approx. 2,2m from aft hook. To be installed at the yard  
 Due to manufacturing reasons dimensions may vary up to 50mm



ITEM	QTY	DESCRIPTION	PART NO	DOC.REF	MATERIAL	T. MASS
BILL OF MATERIALS						
0	Issued for construction	ATE	PPE	ATE	19.07.2019	
REV	DESCRIPTION	BY	CHECK	APPRO	DATE	
NORSAFE REVISION HISTORY						
			VIKING Norsafe Life-Saving Equipment Norway AS P.O Box 115 Tel: +47 37 05 85 00 4852 Færvik Fax: +47 37 05 85 01 NORWAY 24/7 Service: +47 37 05 63 33 Email: viking@viking-life.com			
DWG SIZE: A3 SCALE: COPY OF:		PART NO. WEIGHT:		SHEET: 1/1		
CLIENT NO:		PROJECTION METHOD:		External General Arrangement		
TOLERANCES: ISO 2768-mk, ISO 13920-BF		REVISION: 0		Maud-94 TELB (2 side doors)		
DWG No: G-500858		PROJECT:		TOR MK2-S 9T hooks Cargo version		

6 5 4 3 2 1