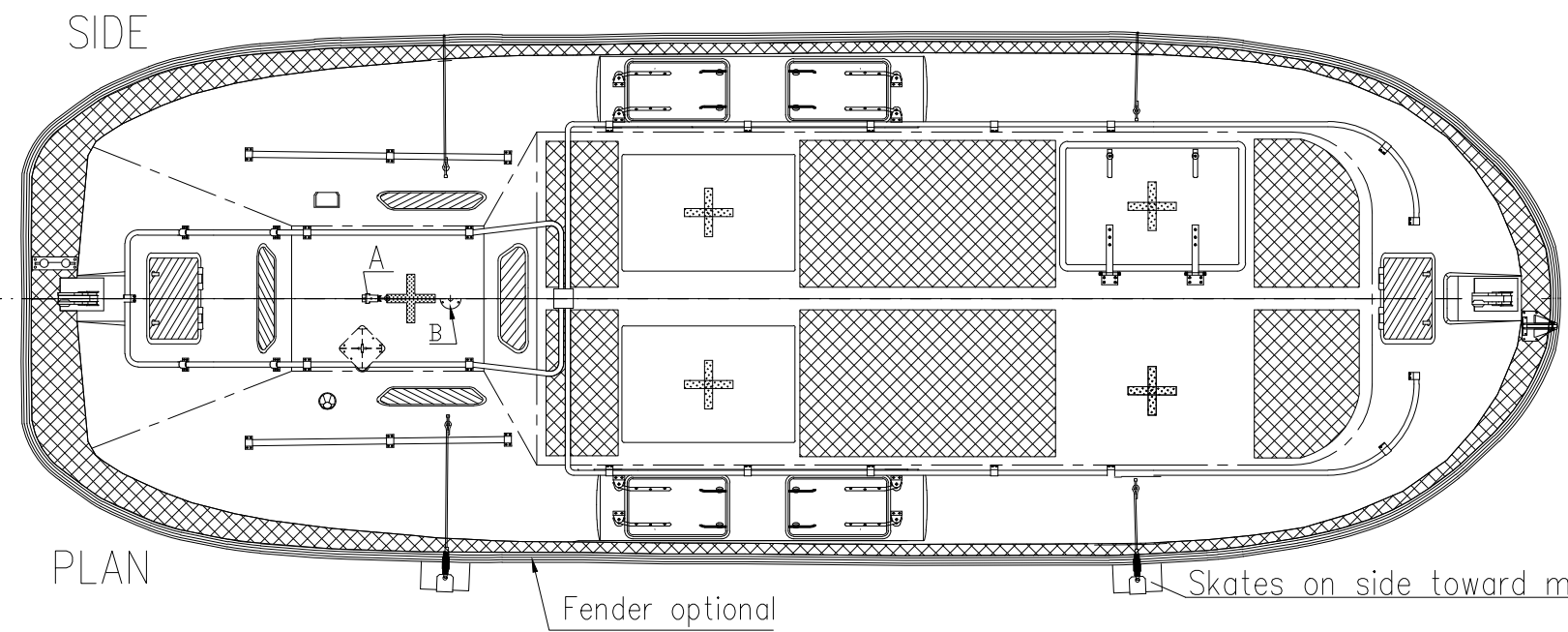
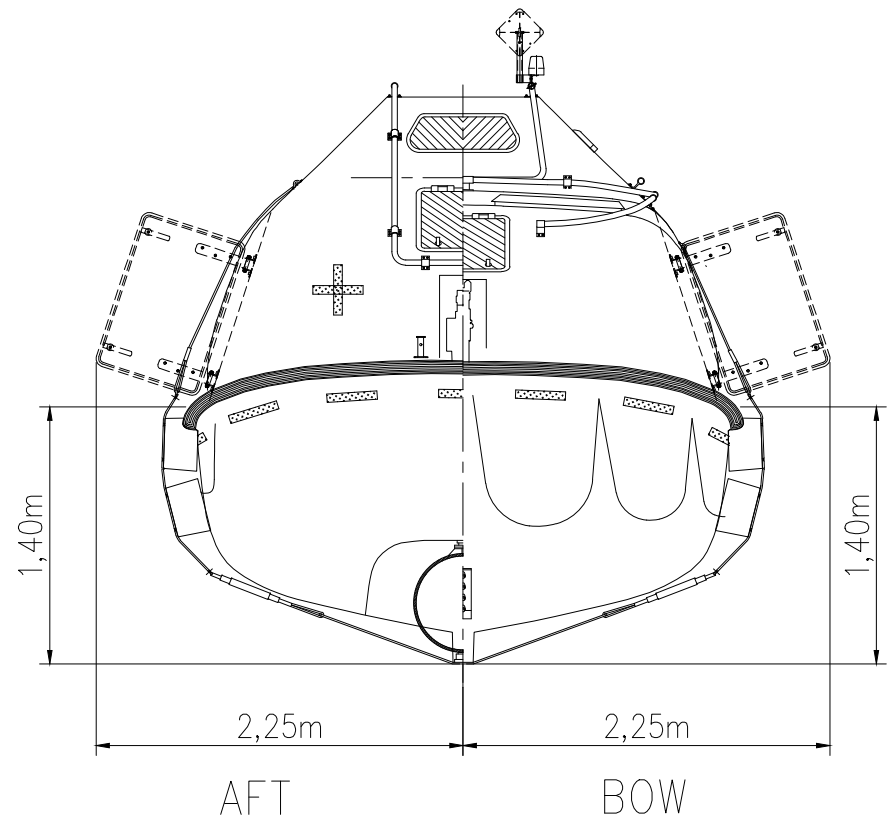
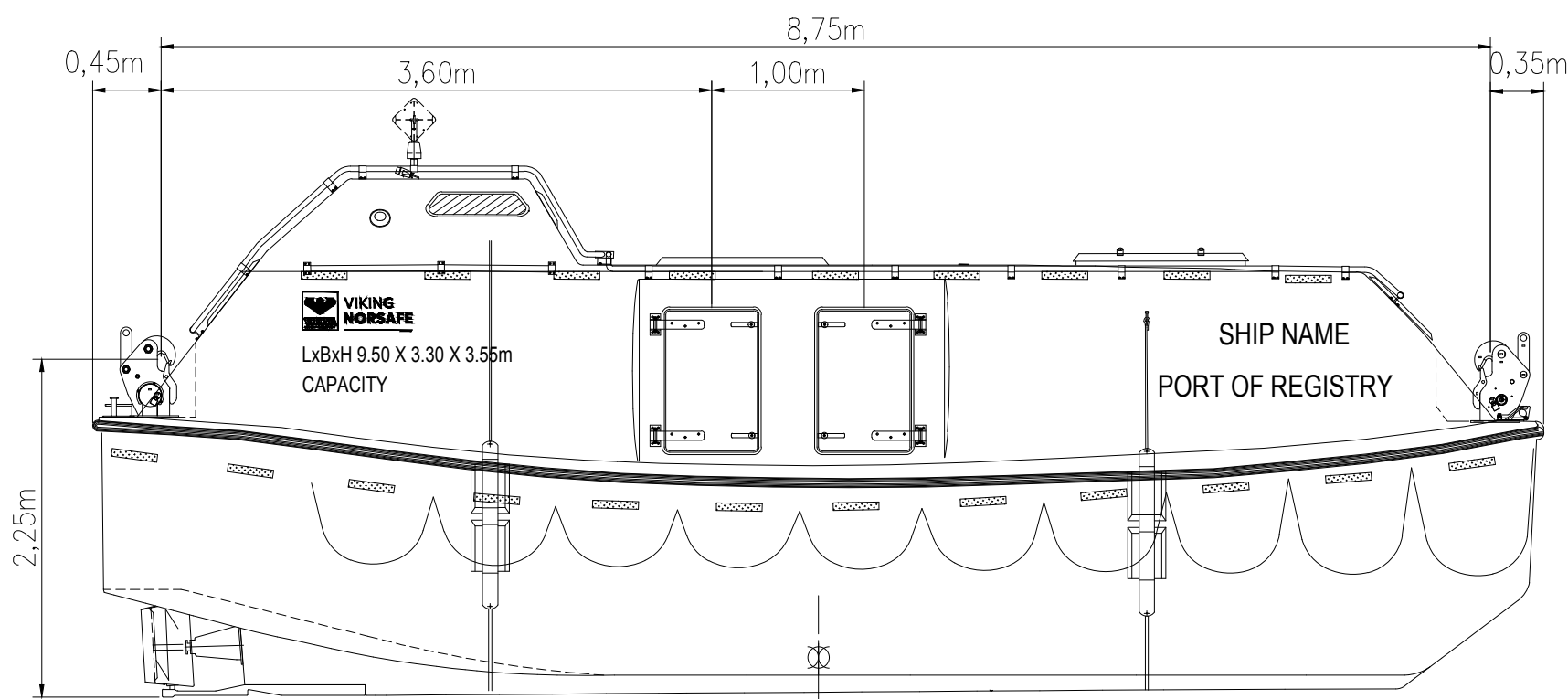
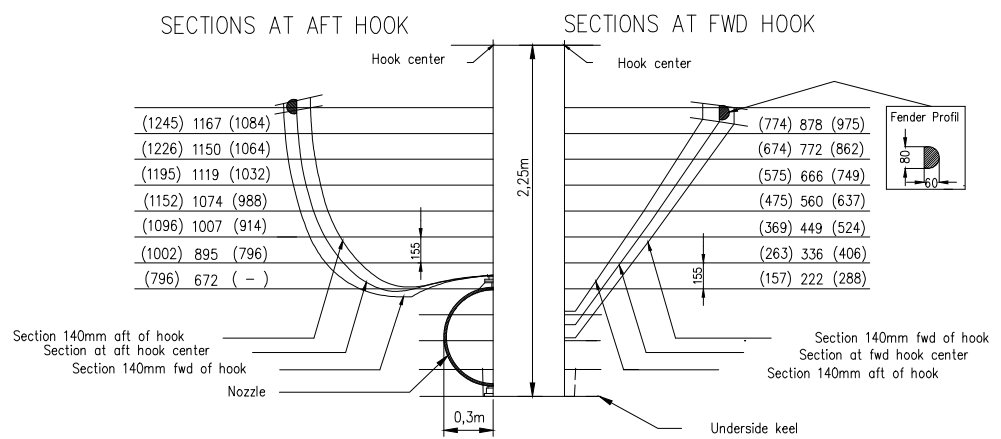


6 5 4 3 2 1



Maud 94 TELB
MAIN DIMENSIONS:
 Length over all (without fender) 9,4m
 Length over all (with fender) 9,5m
 Beam 3,30m
 Total height 3,55m
 Hook distance 8,75m
 Hook height 2,25m
 Max.Capacity 80 pers.
 Weight of boat inc. all equipment 4850 kg
 Total davit load 82,5 kg/peron 11450 kg

A = Power supply plug 2m from aft hook (optional)
 B = Winch brake wire approx. 2,2m from aft hook. To be installed at the yard
 Due to manufacturing reasons dimensions may vary up to 50mm



ITEM	QTY	DESCRIPTION	PART NO	DOC.REF	MATERIAL	T. MASS
BILL OF MATERIALS						
0	Issued for construction	ATE	PPE	ATE	19.07.2019	
REV	DESCRIPTION	BY	CHECK	APPRO	DATE	
NORSAFE REVISION HISTORY						
		VIKING Norsafe Life-Saving Equipment Norway AS P.O Box 115 Tel: +47 37 05 85 00 4852 Færøvik Fax: +47 37 05 85 01 NORWAY 24/7 Service: +47 37 05 63 33 Email: viking@viking-life.com				
DWG SIZE: A3 SCALE: COPY OF:		PART NO. WEIGHT:		SHEET: 1/1		
CLIENT NO:		PROJECTION METHOD:		External General Arrangement Maud-94 TELB (2 side doors) TOR MK2-S 9T hooks Tanker version		
TOLERANCES: ISO 2768-mk, ISO 13920-BF		REVISION: 0		PROJECT:		
DWG No: G-500850		PROJECT:				

6 5 4 3 2 1