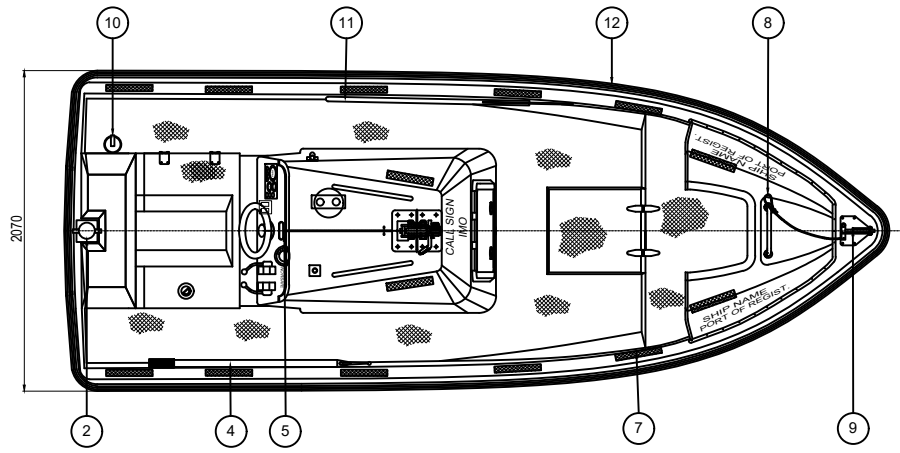
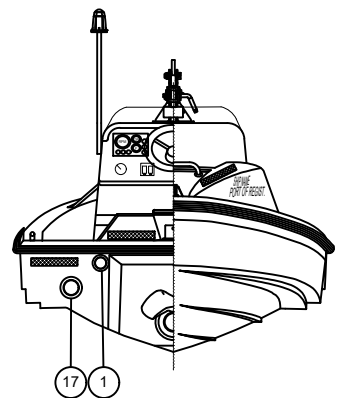
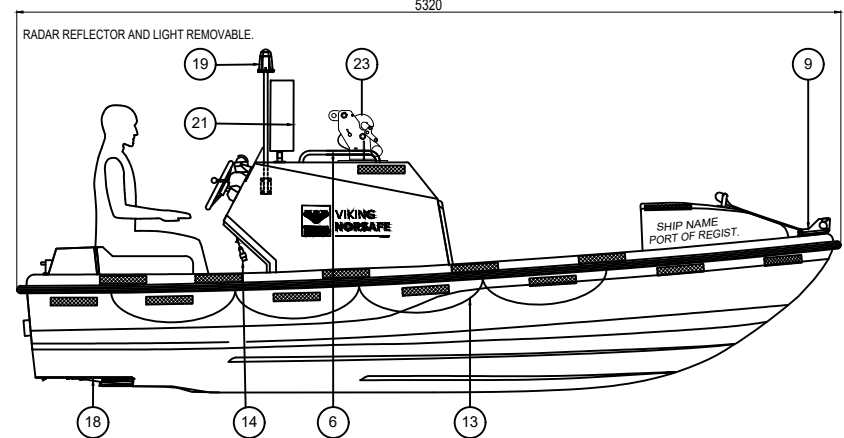
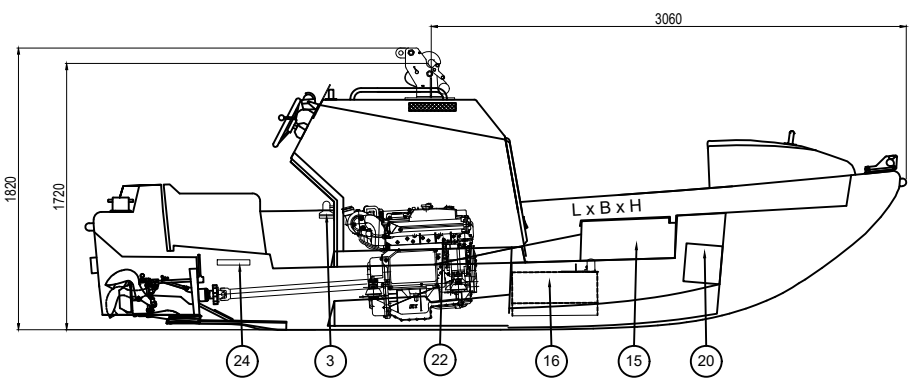


MAIN DIMENSIONS & SPECIFICATION	
LENGTH ON FENDER:	5,30 m
LENGTH OVER ALL:	5,32 m
BREATH OVER ALL:	2,07 m
HEIGHT OVER ALL:	1,82 m
HOOK HEIGHT ABOVE KEEL:	1,72 m
WEIGHT w/FUEL AND LOOSE EQUIPMENT:	1155 kg
DAVIT LOAD w/6 PERSONS (82,5kg):	1650 kg
DAVIT LOAD w/8 PERSONS (82,5kg):	1815 kg
ENGINE:	STEYR MO 94/114 YANMAR 4JH110



Notes:
 1. Due to manufacturing reasons, dimensions may vary up to 50mm.
 2. Due to manufacturing reasons, engine type and HP, weight may vary.

ITEM	QTY	DESCRIPTION	PART NO	DOC.REF	MATERIAL	T. MASS
1	1	Exhaust pipe			Alu.	
2	1	Bollard			316L	
3	1	Search light				
4	1	Boat hook				
5	1	Compass				
6	1	Hand hold			316L	
7	20	Reflex				
8	1	Painter release handle				
9	1	Painter release hook			HDG	
10	1	Fire extinguisher				
11	2	Paddles				
12	1	Fender				
13	1	Life line				
14	1	Charge plug				
15	1	Equipment tank			GRP	
16	1	Fuel tank				
17	2	Water outlet			Alu	
18	1	Waterjet				
19	1	Light				
20	1	Batteries				
21	1	Radar reflector				
22	1	Diesel engine				
23	1	K4-D FM hook			SS 2377	
24	1	Emergency steering handle			HDG	

BILL OF MATERIALS						
REV	DESCRIPTION	BY	CHECK	APPRO	DATE	
4	Added Yanmar 4JH 110HP engine	PHL	KARL	THWA	22.05.2019	
3	Updated detail arrangement according to actual product	PHL	JKJI	THWA	10.04.2018	
2	Separated K4-D to G-502410	PHL	SATA	THWA	29.01.2018	
1	Add K4-D FM hook and update engine type	PHL	VX	THWA	04.02.2018	
0	Issued for construction	GRHE		THWA	26.02.2018	

VIKING NORSAFE

VIKING Norsafe Life-Saving Equipment Norway AS
 P.O. Box 115
 4852 Fjellvik
 NORWAY

Tel: +47 37 05 85 00
 Fax: +47 37 05 85 01
 24/7 Service: +47 37 05 63 33
 Email: viking@viking-life.com

This drawing is the sole property of VIKING Norsafe Life-Saving Equipment Norway AS. It must not be submitted to other parties nor used in any manner detrimental to our interests. It shall not be copied, reproduced, used for manufacturing or sale without the written consent of VIKING Norsafe Life-Saving Equipment Norway AS. All rights are reserved.

DWG SIZE: A3	SCALE: 1:10	COPY OF:	PART NO:	WEIGHT:	SHEET: 1 / 1
CLIENT NO:	PROJECTION METHOD:	REVISION: 4	MIDGET-530 MKII WATERJET K4-D FM RESCUE BOAT GENERAL ARRANGEMENT		
TOLERANCES: ISO 2768-mk, ISO 13920-BF	REVISION: 4	DWG No: G-500687			