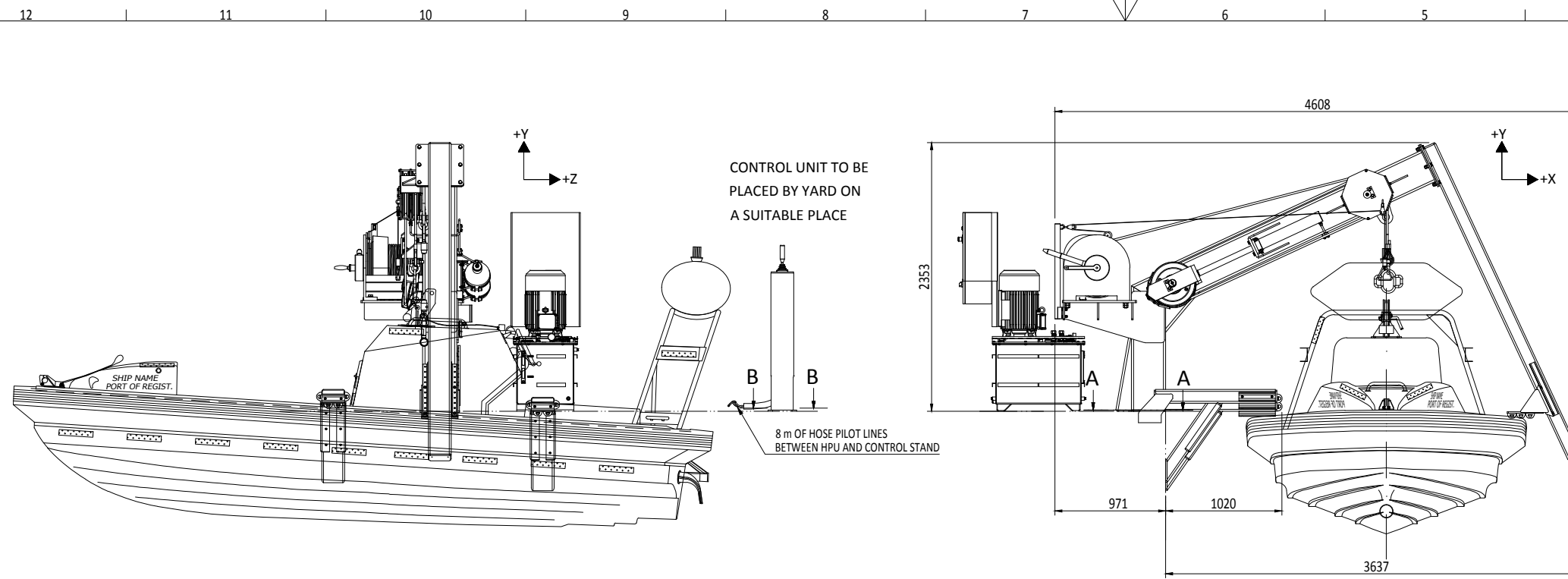


NDC-40 HST RESCUE BOAT DAVIT

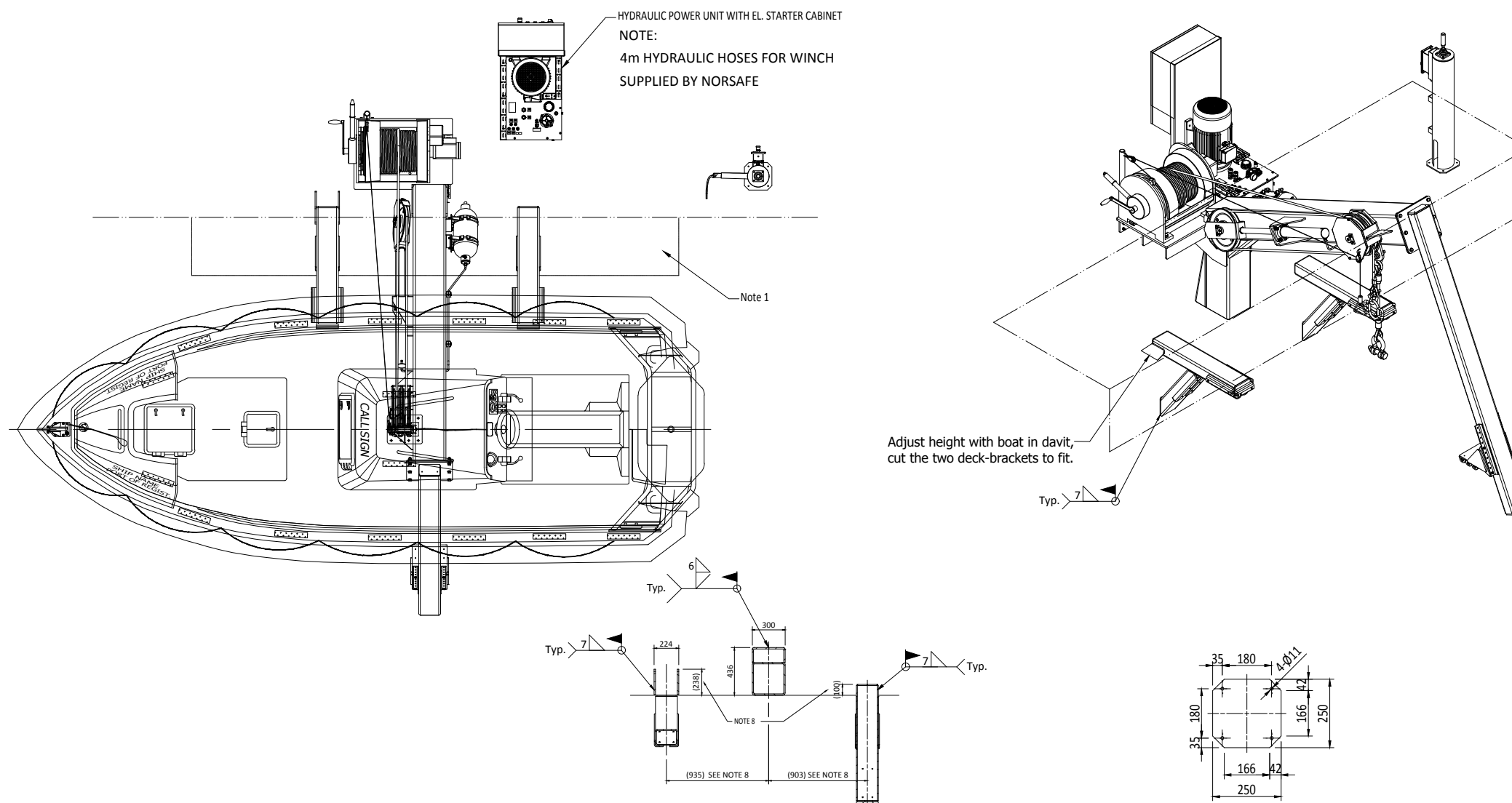
SWL: 2800kg
 WINCH TYPE: ZOLLERN ZR 4.20
 HOISTING SPEED: MINIMUM 50 M/MIN
 LOWERING SPEED: MINIMUM 50 M/MIN
 DESIGN SPEC: 10° TRIM, 20° LIST SIMULTANOUSLY
 DEAD SHIP LOWERING SPEED: MAXIMUM 60 M/MIN (BY GRAVITY)
 DAVIT WEIGHT: 1950 kg WITH ZR 4.20 WINCH AND HPU
 AUTO TENSION SYSTEM: PULL FORCE APPROX. 10% OF SWL
 AUTO TENSION SPEED: 0-120 m/min



Reaction forces on deck (for orientation of forces, see legend on drawing).

Deck support davit	ForceX (kN)	ForceY (kN)	ForceZ (kN)	MomX (kNm)	MomY (kNm)	MomZ (kNm)
	±20.1	-58.9	±20.1	±40	±28.6	99.9

All forces are nominal forces without any factors.
 All foundation shall be designed with a safety factor of minimum 4,5



**INTERFACE FOOT PRINTS IN DECK
 A-A (1 : 20)**

**FOOT PRINT
 B-B (1 : 10)**

NOTES:

- ACCESS PLATFORMS, HANDRAILING, DOUBLE PLATES ETC.: YARD SUPPLY.
- ELECTRIC WIRING BY YARD.
- FIELD WELDS TO BE WELDED BY YARD ARE SHOWN BY
- ALL FIELD WELDS TO BE PERFORMED ACC. TO APPROVED WPS. (YARD RESPONSIBILITY). ALL FIELD WELDING IS SUBJECT TO CLASS APPROVAL PRIOR TO START WELDING.
- THE SWL FOR THE DAVIT WILL BE ADJUSTED TO SUIT THE BOAT FOR EACH DELIVERY.
- HYDRAULIC HOSES FROM HPU TO WINCH MUST BE FASTENED BY YARD.
- LOCATION OF HPU AND CONTROL STAND TO BE DECIDED BY YARD.
- LOCATION OF BOAT SUPPORTS TO BE ADJUSTED TO SUIT THE BOAT TYPE FOR EACH DELIVERY.

0	Issued for approval	CENI	GACA	WAGU	18.06.2019
REV	DESCRIPTION	BY	CHECK	APPRO	DATE
REVISION HISTORY					
		VIKING Norsafe Life-Saving Equipment Norway AS P.O. Box 115 Tel: +47 37 05 85 00 4852 Færevik Fax: +47 37 05 85 01 NORWAY 24/7 Service: +47 37 05 63 33 Email: viking@viking-life.com			
		This drawing is the sole property of VIKING Norsafe Life-Saving Equipment Norway AS. It must not be submitted to other parties nor used in any manner detrimental to our interests. It shall not be copied, reproduced, used for manufacturing or sale without the written consent of VIKING Norsafe Life-Saving Equipment Norway AS. All rights are reserved.			
DWG SIZE: A3	SCALE: 1:50	COPY OF:	PART NO.	WEIGHT:	SHEET: 1/1
CLIENT NO:	PROJECTION METHOD	NDC-40 HST Rescue Boat Davit With Merlin 615			
TOLERANCES: ISO 2768-mk, ISO 13920-BF	REVISION: 0	General Arrangement			
DWG No: G-501702	PROJECT:				