

1

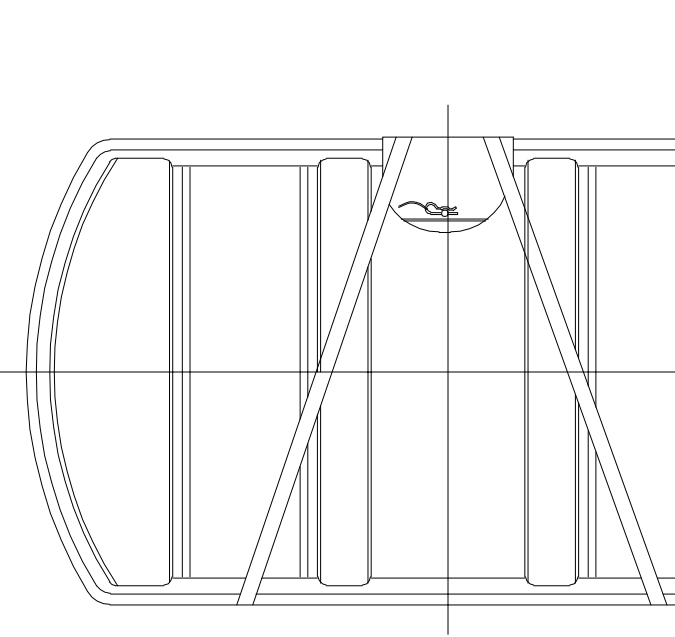
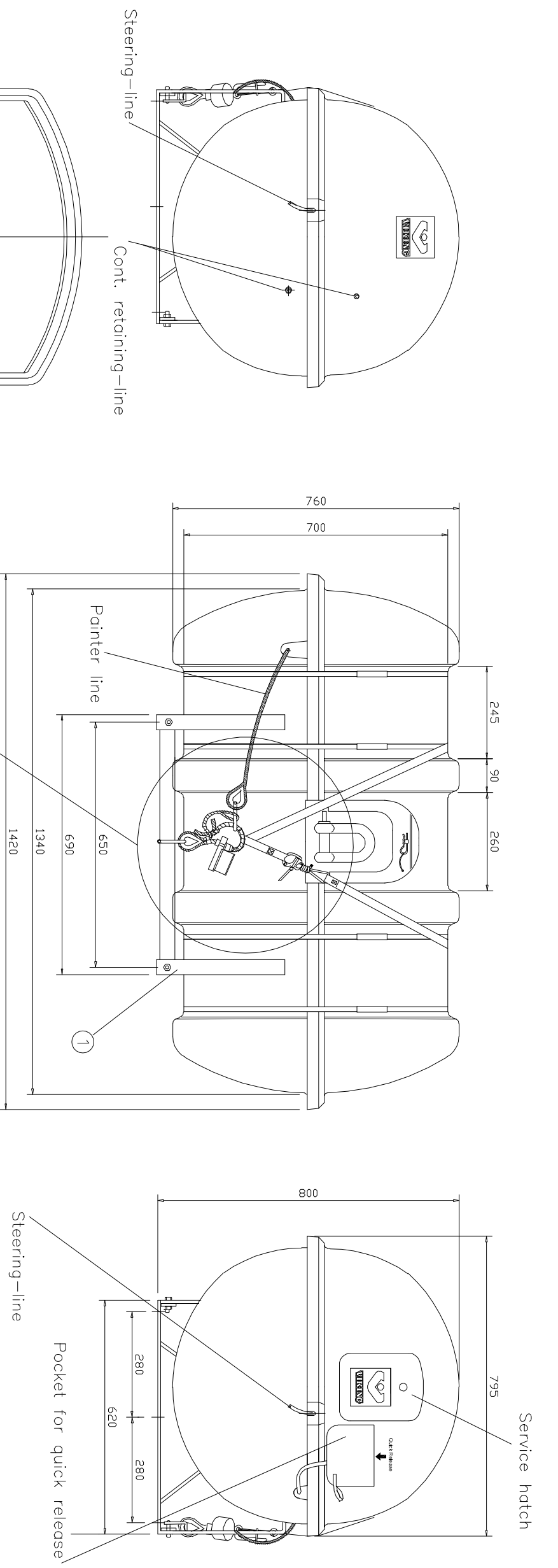
2

3

4

5

6



1	1	Complete hot galv. cradle with lashing	1011919
<b>POS:</b>	<b>Qty.</b>	<b>Description</b>	<b>Material No:</b>

If the product is requested to be manufactured differently, this MUST be approved by VIKING LIFE-SAVING EQUIPMENT A/S and a specification of change must be filed in if the alteration is approved. Unless otherwise specified the product must always be clearly labeled with Viking part no., manufacturer ID and manufacturing year.

REVISION NO:	01	REVISION DESCRIPTION:	Change quick release slot location.	REVISION DATE:	10.03.20	APPROVAL INITIALS:	DW
MATERIAL NO:	1061299	STATUS:	FR	UNITS:	mm	CHECK DATE/INITIALS:	02.09.15
BASIC MATERIAL:	—	SURFACE TREATMENT:	—	SHEETSIZE:	A3	SCALE:	1:15
				SHEET NO.:	—	DRAWN DATE/INITIALS:	02.09.15 /DW

**Description of change**  
 The Quick Release pocket was rotated 90 degrees, and the "Quick Release" sticker with an arrow was added.

VIKING LIFE-SAVING EQUIPMENT A/S  
 Sædding Ringvej 13, DK-6710 Esbjerg V  
 Tel.: +45 7611 8100  
 Fax.: +45 7611 8101  
 E-mail: viking@viking-life.com  
 Web: www.viking-life.com

PROJECTION TYPE:  
  
 FIRST ANGLE PROJECTION  
 GENERAL TOLERANCE: —

DESCRIPTION:  
 Sales Specification  
 016-8501 25 DKFS "B PACK" S30

Copyright of VIKING LIFE-SAVING EQUIPMENT DENMARK whose property this document remains. No part thereof may be disclosed, copied, duplicated or in any other way made use of except with the approval of VIKING LIFE-SAVING EQUIPMENT DENMARK

DRAWING NO.: 42004148

1

2

3

4

5

6