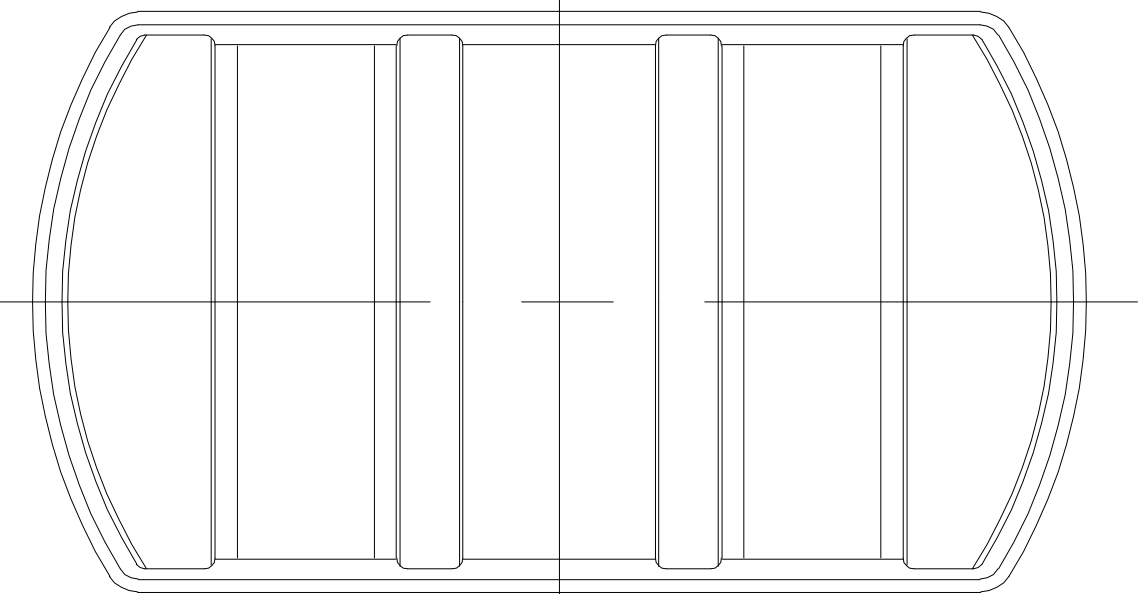
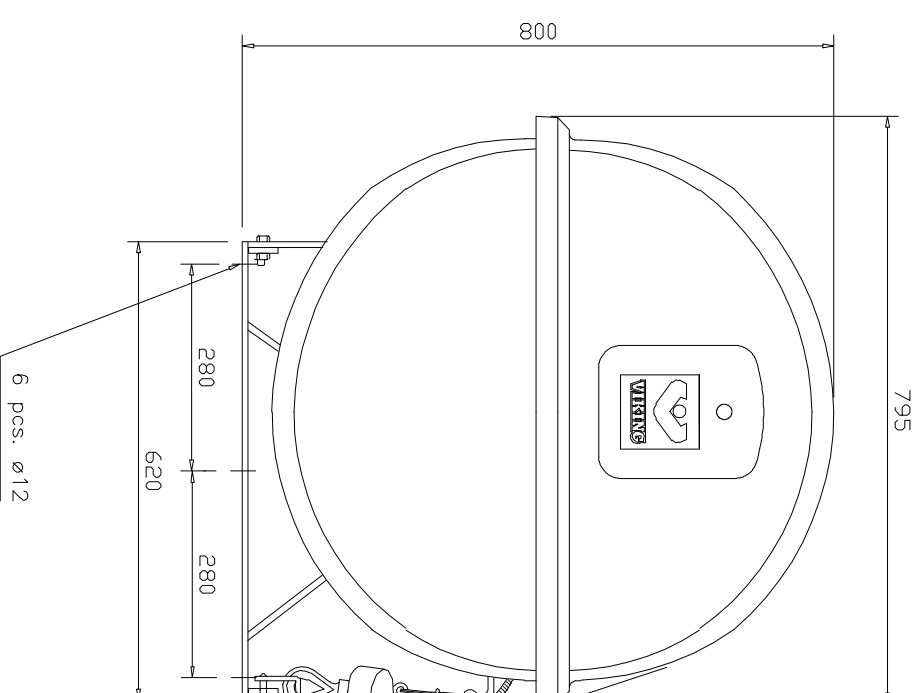
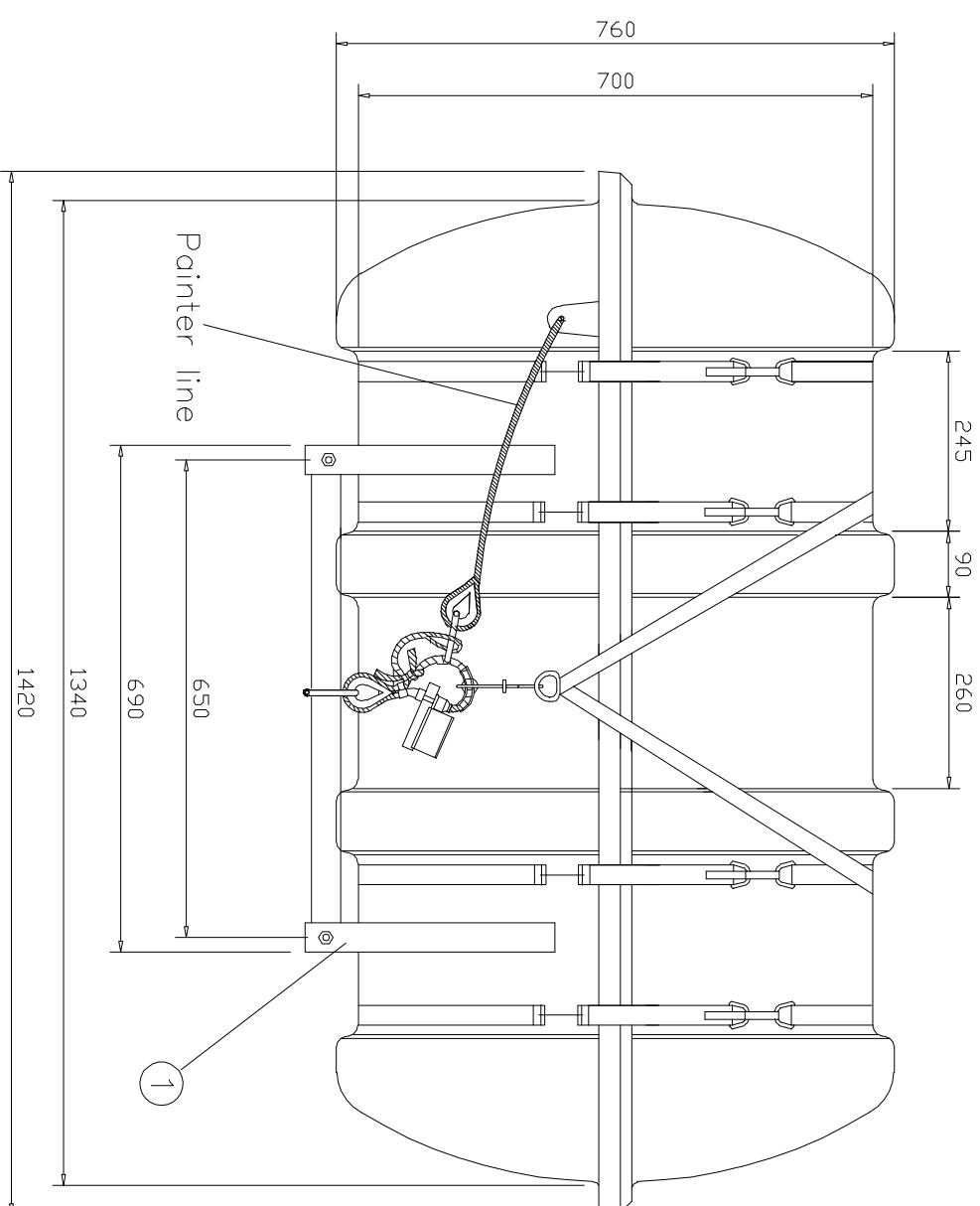
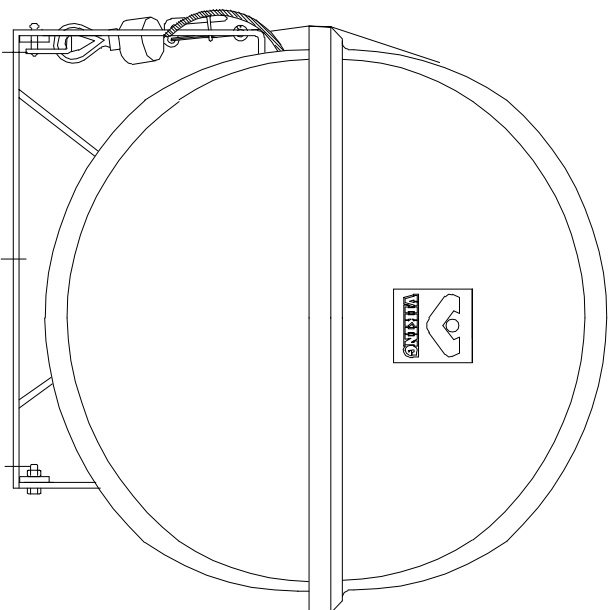
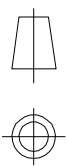


First angle projection



PLEASE NOTE THAT THE MEASUREMENTS GIVEN IN THIS DRAWING ARE FOR YOUR INFORMATION ONLY.

Mrk.	1	Hot galvanized cradle	015-0046A	300-1544	Fe 360
Tekst	Copyright of VIKING LIFE-SAVING EQUIPMENT, DENMARK, whose copied, duplicated or in any other way made use of. properly this document remains. No part thereof may be disclosed, except with the approval of VIKING LIFE-SAVING EQUIPMENT, DENMARK.				
Part. No.	P. O. Box 3060 6710 Esbjerg V Denmark				
Drawing No.	Scale: 1:10				
Material	Dim. in: mm				
	Drawn: 100309 MKW				
	Check: 100309 CJ				



VIKING
LIFE-SAVING EQUIPMENT

P. O. Box 3060
6710 Esbjerg V
Denmark

Drawing no.:

300-2460

SALES SPECIFICATION FOR CONTAINER
PART NO.: 016-8607 - (1033948)
25 DKS "A PACK + B PACK"

CAD Nr.: 3002460

Issue/ ref. no	Date:	Check: