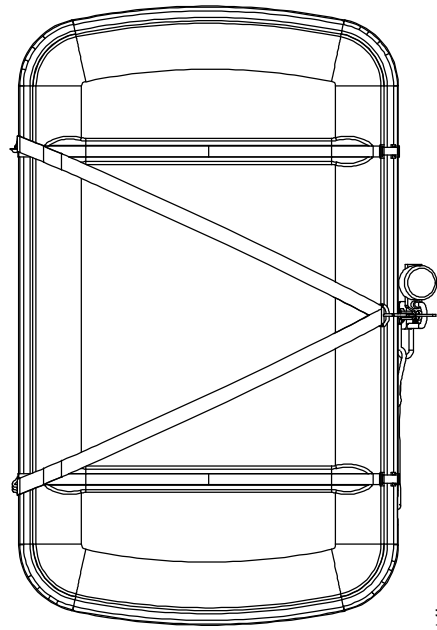
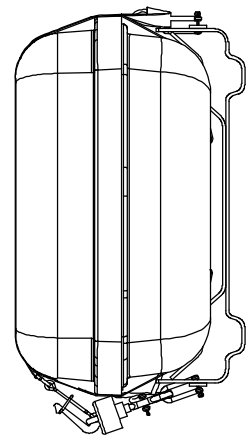
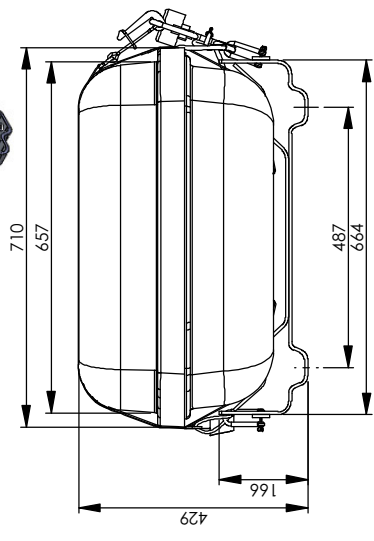
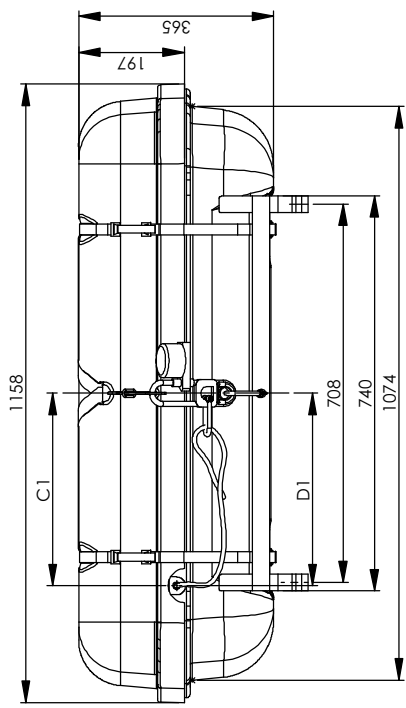
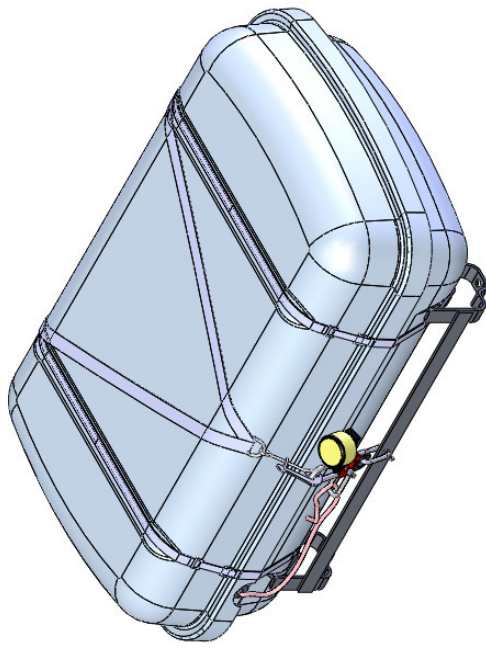
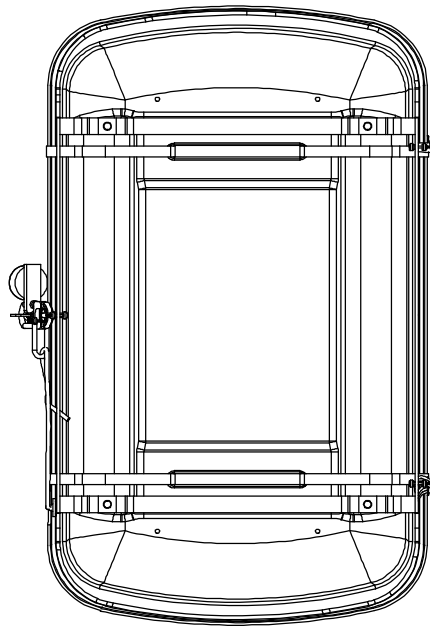


1 2 3 4 5 6



1	Stain. Steel Cradle for 9042	1025357	16000536	AISI 316	1026947
1	Aluminium Cradle for 9042	1025382	16000537	AlMgSiO ₅	1026947
Item	Description	Part No	Drawing No	Material	Lashing Arrangement

If the product is requested to be manufactured differently, this MUST be approved by VIKING LIFE-SAVING EQUIPMENT A/S and a specification of change must be filled in if the alteration is approved. Unless otherwise specified the product must always be clearly labelled with Viking part no., manufacturer ID and manufacturing year.

MATERIAL NO.	1008397	CHK DWG No.	-	STATUS:	FR	CHECK DATE/INT:	201 0052 1/LHM
BASIC MATERIAL:	-	UNITS:	mm/kg	WEIGHT:	42884,555	DRAWN DATE/INT:	201 0051 9/DW
		SURFACE TREATMENT:	-	SHEET SIZE:	A3	SCALE:	1:20

VIKING
LIFE-SAVING EQUIPMENT

VIKING LIFE-SAVING EQUIPMENT A/S
Sødrødd Ringvej 13, DK-6710 Esbjerg V
Tel.: +45 76 11 8100
Fax.: +45 76 11 8101
E-mail: viking@viking-life.dk
Web: www.viking-life.com

PROJECTION TYPE
FIRST ANGLE PROJECTION
GENERAL TOLERANCE: -

DESCRIPTION:
Container 016-9042 Sales Specification
Low Profile Type #300
8-10-12 DK "A"+"B" / 16DK "B" / 201BA / 25DKR "HSC"

CAD NO.:	14000390	Drawing No.:	16001468
REV NO.:	00		

Slots measure from Center of container follows W1.

Location	C1	D1
Dimension (mm)	360 ±5	360 ±5

1 2 3 4 5 6