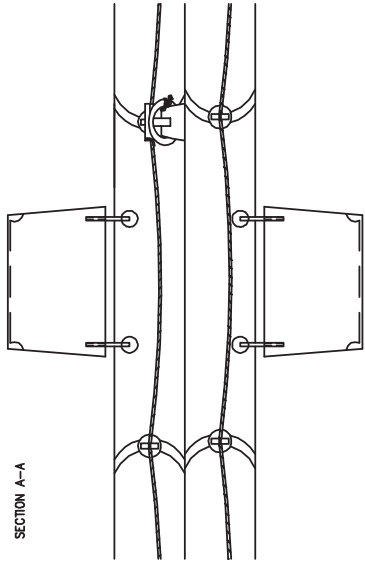
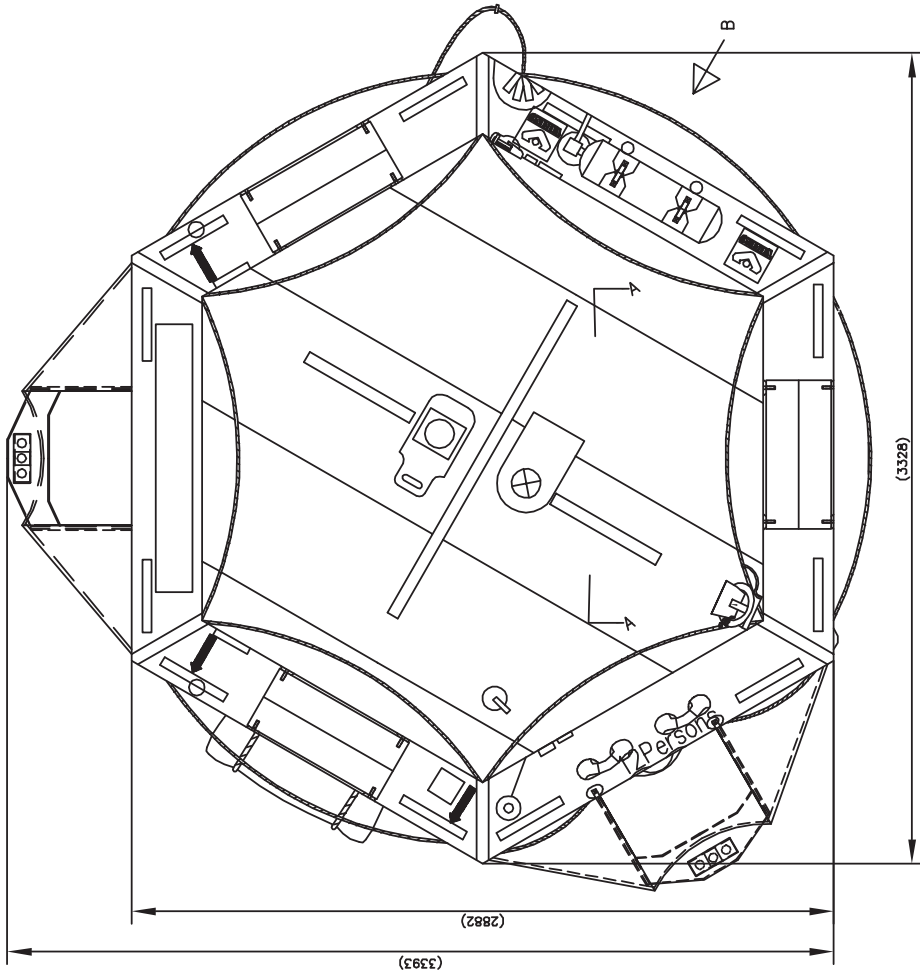
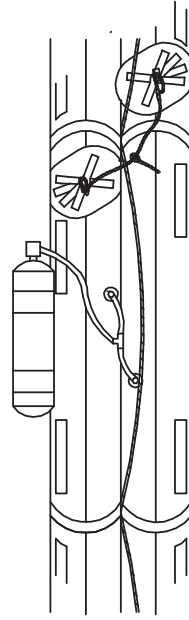


SECTION A-A



SECTION B-B



Title		LIFE RAFT	
Drawn By	Checked By	Scale	AS
1:10	1:10	1:10	AS
LIFE RAFT TYPE VIKING 12 DMR+ (HSC)			
MANUFACTURED BY: VIKING 10000 10th Street, S.E. Everett, WA 98203 Phone: (425) 345-1000 Fax: (425) 345-1001 Email: sales@viking.com			
MODEL NO.: 12 DMR+ PART NO.: 12 DMR+ REV: 1			
DATE: 10/10/00			
DRAWING NO.: 12 DMR+			
SHEET NO.: 1 OF 1			

Discontinue if change