

1 2 3 4 5 6

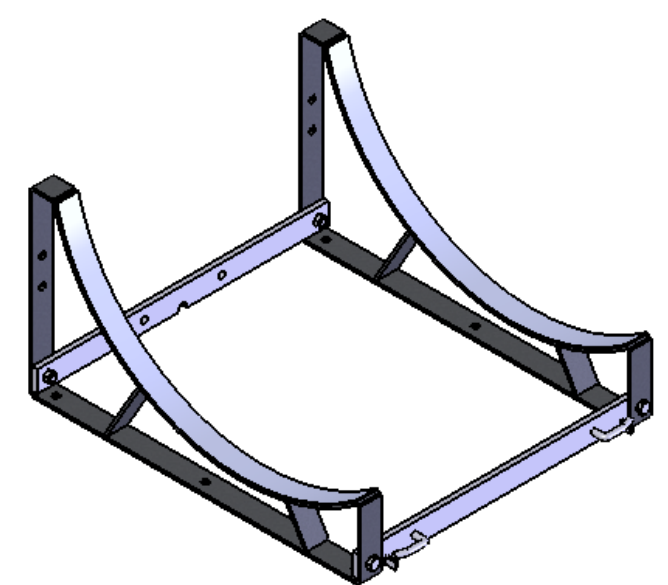
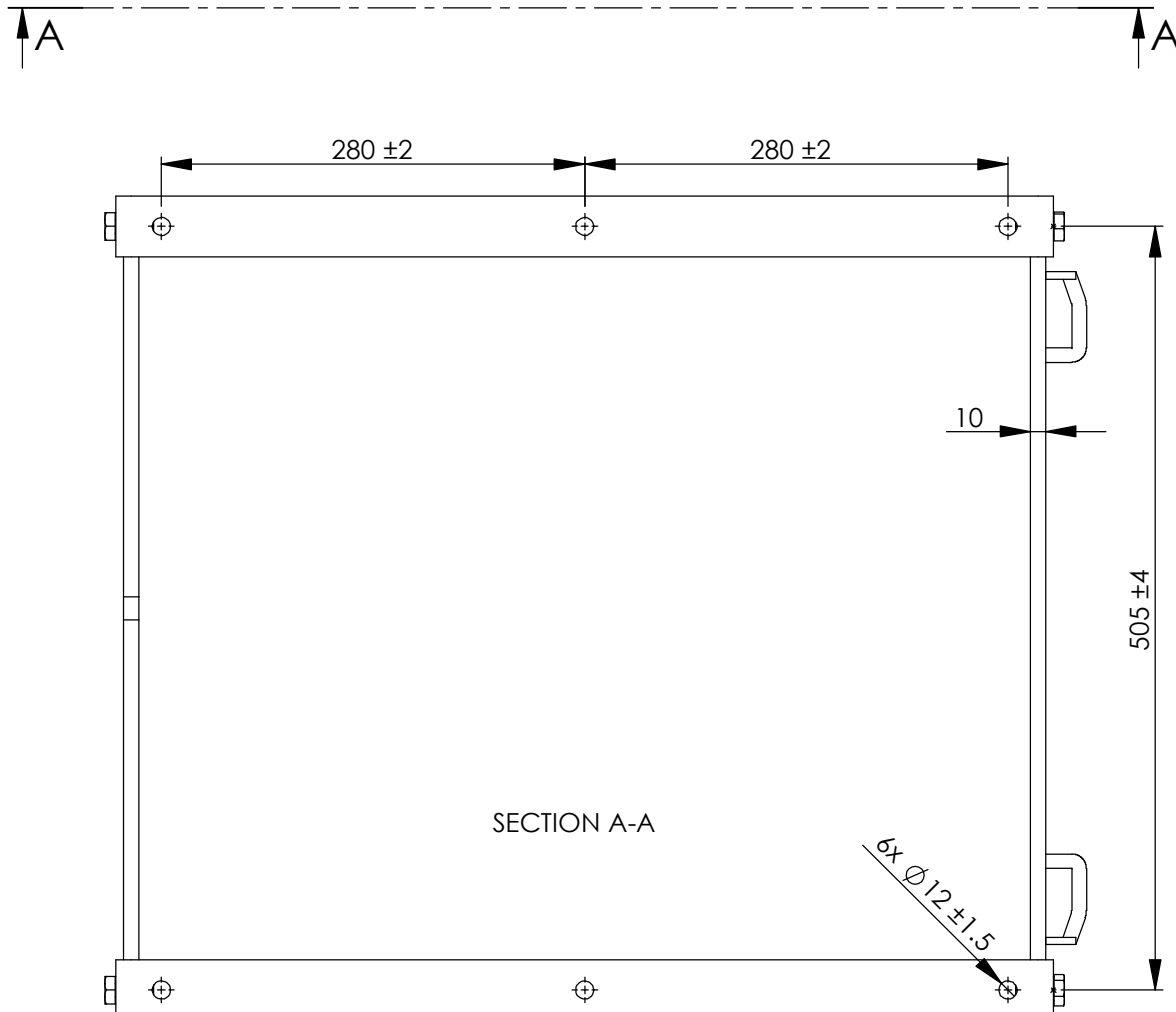
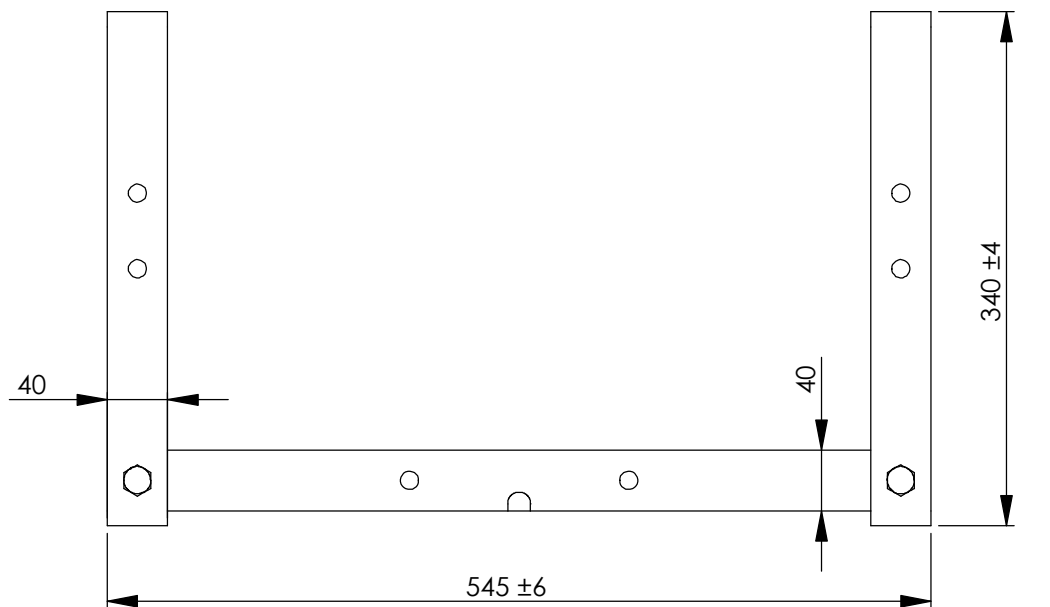
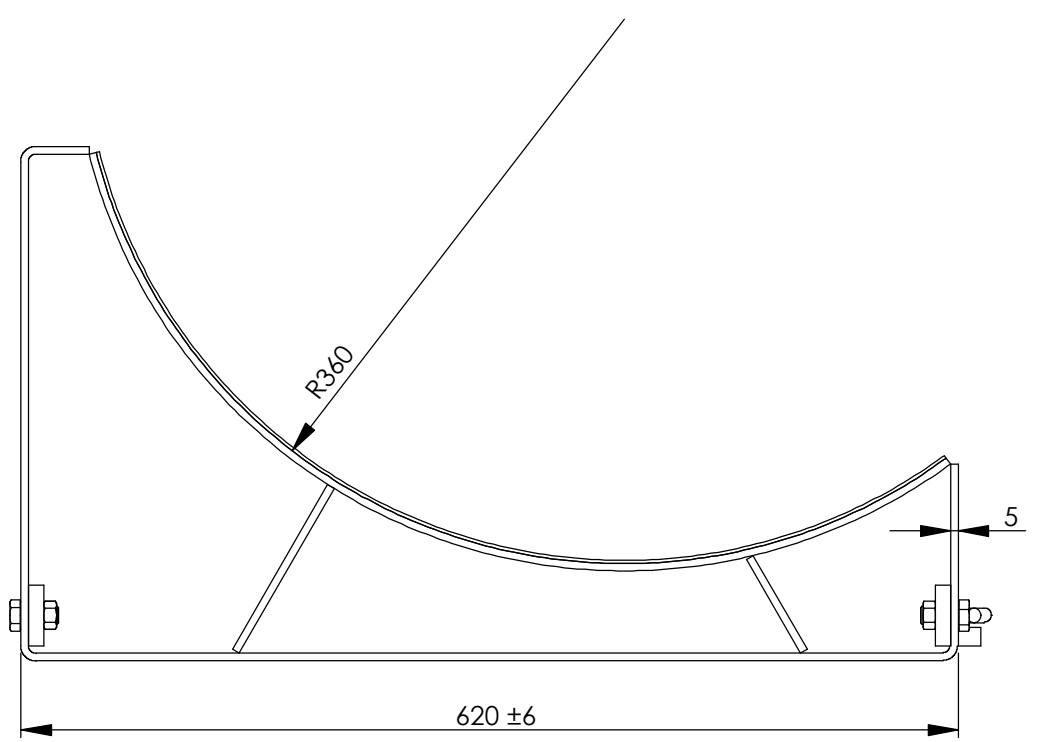
A A

B B

C C

D D

E E



Measure without tolerance  $\pm 3$  mm  
Material : S235 JR  
Surface Hot galvanized

If the product is requested to be manufactured differently, this MUST be approved by VIKING LIFE-SAVING EQUIPMENT A/S and a specification of change must be filled in if the alteration is approved. Unless otherwise specified the product must always be clearly labelled with Viking part no., manufacturer ID and manufacturing year.

MATERIAL NO: 1000014	Old DWG No:	STATUS: FR	UNITS: mm/kg	WEIGHT : 10000	CHECK DATE/INIT: 20130515/DW
BASIC MATERIAL:	SURFACE TREATMENT:		SHEETSIZE : A3	SCALE : 1:5	SHEET NO : 1/1
DRAWN DATE/INIT: 20130515/DW			DESCRIPTION :		

	VIKING LIFE-SAVING EQUIPMENT A/S Sædding Ringvej 13, DK-6710 Esbjerg V Tel.: +45 7611 8100 Fax.: +45 7611 8101 E-mail: viking@viking-life.dk Web: www.VIKING-life.com	PROJEKTION TYPE  <b>FIRST ANGLE PROJECTION</b> GENEREL TOLERANCE :	Cradle for DKF rafts 16-25 DKF
	Copyright of VIKING LIFE-SAVING EQUIPMENT DENMARK whose property this document remains. No part thereof may be disclosed, copied, duplicated or in any other way made use of except with the approval of VIKING LIFE-SAVING EQUIPMENT DENMARK.		CAD NO. : 14001009

Issue /ref. no	DATE	APPROVED
REVISIONS		

Drawing NO. : 16004765	REV NO. : 00
---------------------------	-----------------

1 2 3 4 5 6