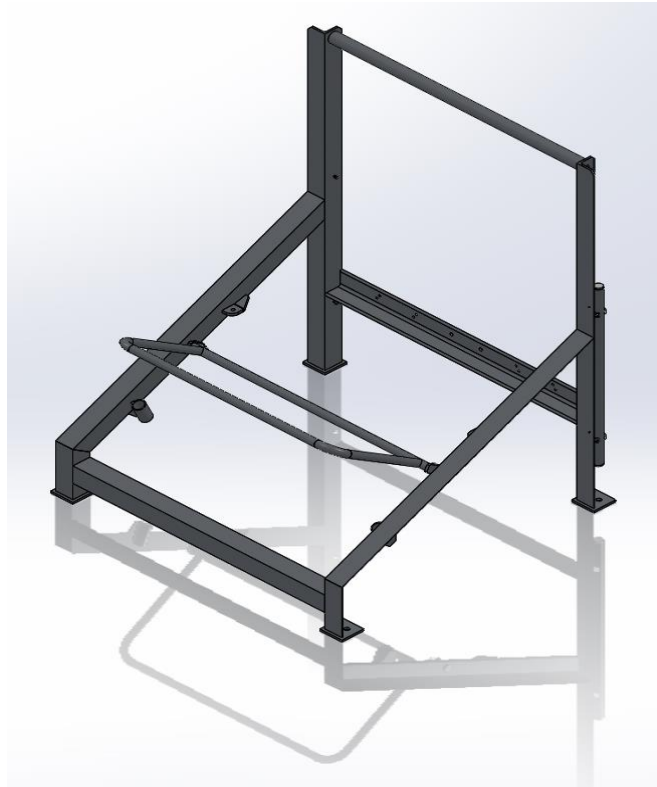




Single sliding rack for 100DKS B-pack, 150DKR & 150IBA

Material no.: 1004196



A rack designed to ensure that the liferaft will immediately drop into the water without assistance. Sliding ramps are mandatory for throw overboard liferafts weighting more than 185 kg in accordance with the SOLAS convention chapter III regulation 16. Pre-drilled foundation holes have a diameter of Ø18.

Cradle fits the following liferaft sizes:

- 100DKS (only B-pack)
- 150DKR
- 150IBA

Material:	S235JR steel
Dimensions:	H135.000xW112.000xD119.000 cm
Weight:	70 kg
Surface treatment:	Sandblasted and prime coated
Welding:	According to DS/EN 5817 class C
Lashing for fixing of liferaft:	Not included (lashing item number: 1014458 for 100DKS B-pack & 150DKR) (lashing item number: 1004196 for 150IBA)